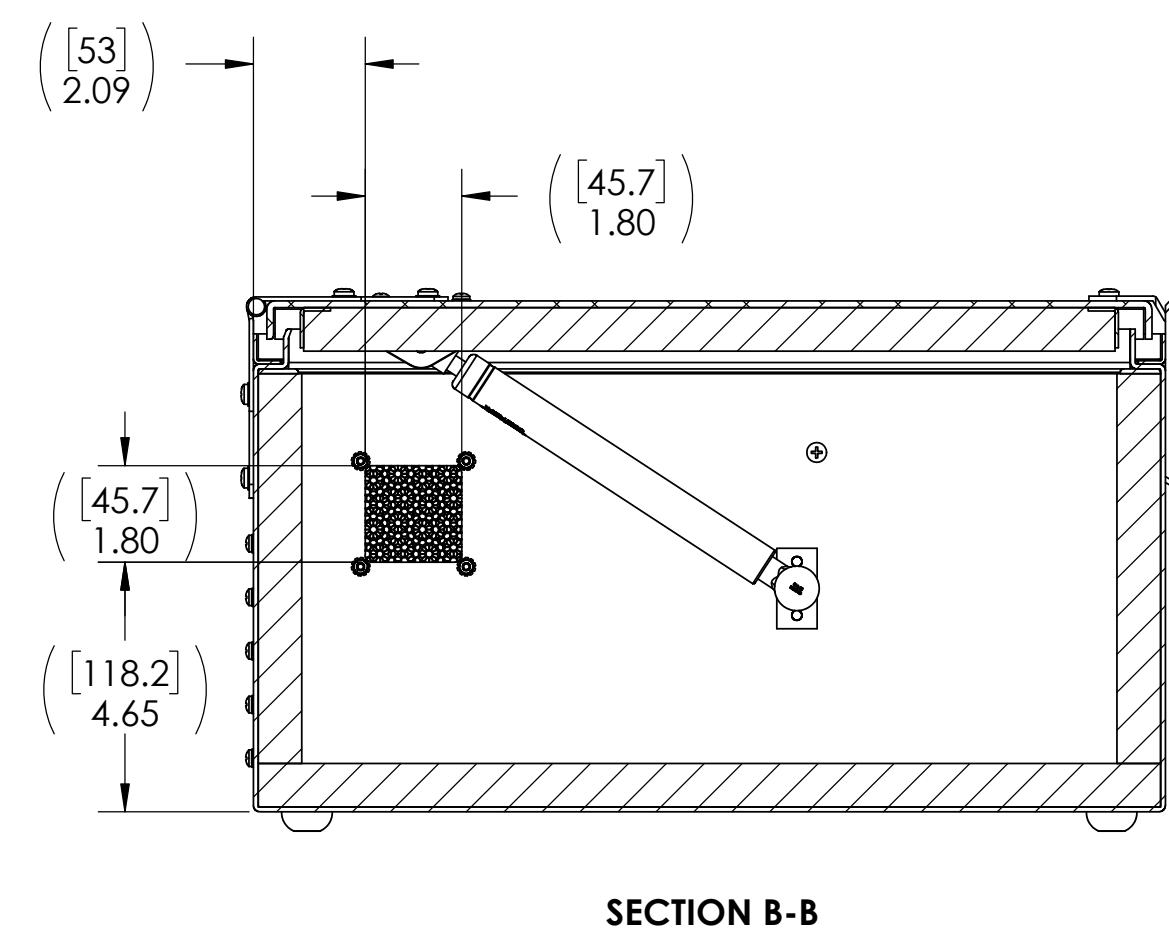
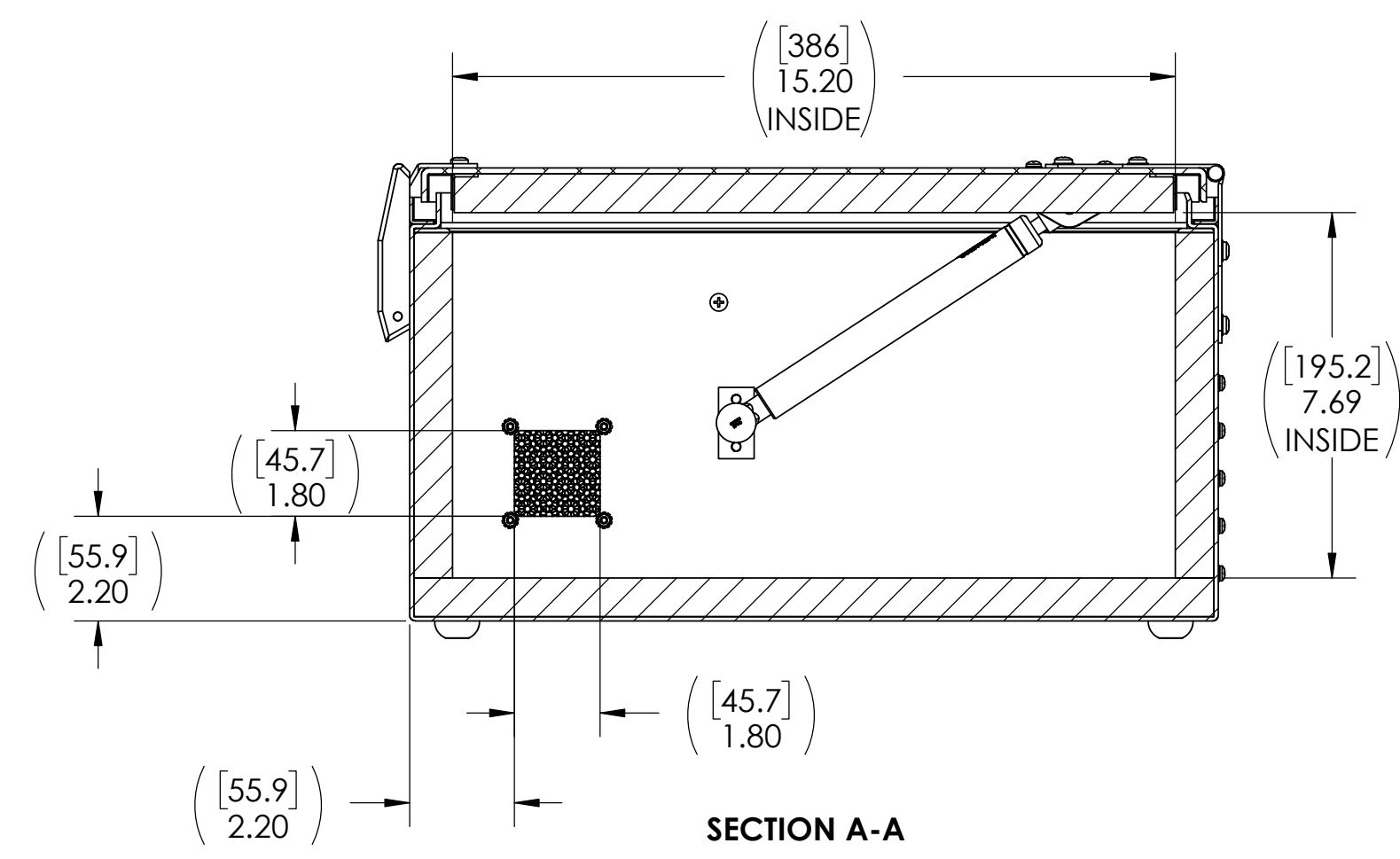
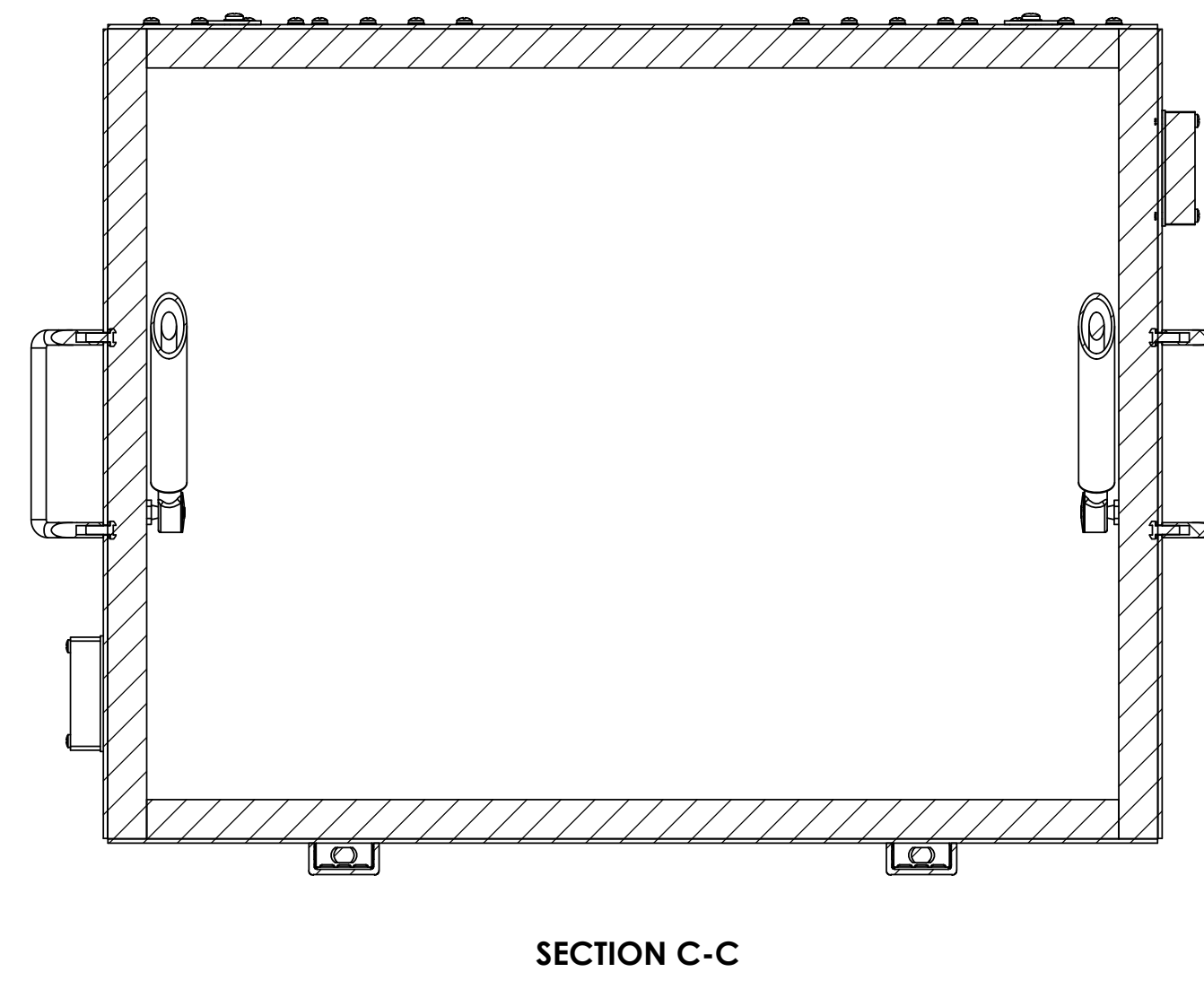
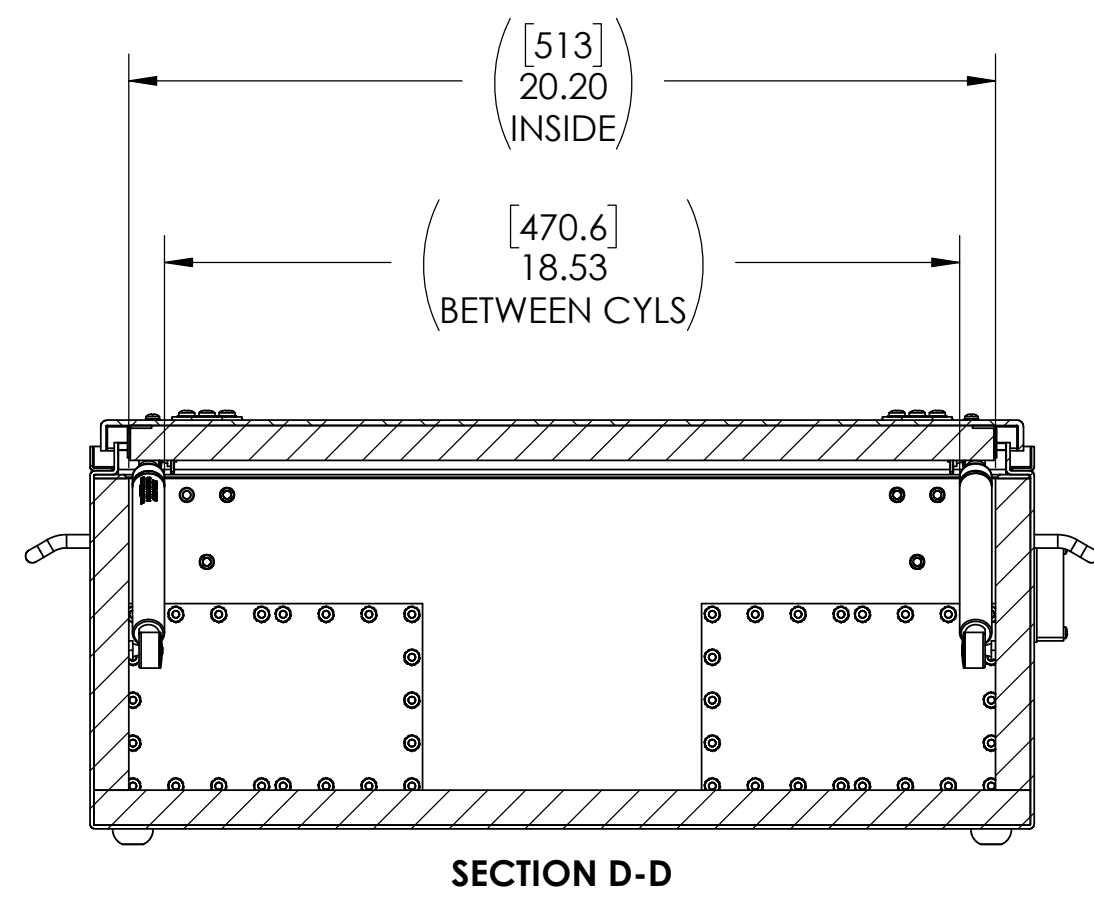


<p>Ramsey Electronics® 590 Fishers Station Dr. Victor, NY 14564 Ph. (585) 924-4560 www.ramseytest.com</p>	UNLESS OTHERWISE SPECIFIED: DIMENSIONS ARE IN INCHES TOLERANCES: ANGULAR: MATCH ±0.5° BEND ±1° TWO PLACE DECIMAL ±.015 THREE PLACE DECIMAL ±.005	NAME DRAWN: T. COAKLEY CHECKED: ENG APPR: PMT MFG APPR: FINAL RELEASE:	DATE 07/24/23 04/05/24	TITLE: STE3500M CUSTOMER DIMENSIONAL DRWG	
	INTERPRET GEOMETRIC TOLERANCING PER ASME Y14.5-2009	<p>PROPRIETARY AND CONFIDENTIAL</p> <p>THE INFORMATION CONTAINED IN THIS DRAWING IS THE SOLE PROPERTY OF RAMSEY ELECTRONICS, ANY REPRODUCTION IN PART OR AS A WHOLE WITHOUT THE WRITTEN PERMISSION OF RAMSEY ELECTRONICS IS PROHIBITED.</p>		MODEL NAME: STE3500M CUSTOMER DIMENSIONAL DRWG	
	MATERIAL SEE NOTE 1	<p>SIZE D</p>		SCALE: 1:5	REV
	FINISH SEE NOTE 4 & 6	DO NOT SCALE DRAWING		SHEET 1 OF 2	



<p>Ramsey Electronics® 590 Fishers Station Dr. Victor, NY 14564 Ph. (585) 924-4560 www.ramseytest.com</p>	UNLESS OTHERWISE SPECIFIED:	NAME	DATE	TITLE:	
	DIMENSIONS ARE IN INCHES	DRAWN	T. COAKLEY	02/15/21	STE3500M
	TOLERANCES:	CHECKED			CUSTOMER DIMENSIONAL DRWG
	ANGULAR: MATCH ±0.5° BEND ±1°	ENG APPR			DWG. NO.
TWO PLACE DECIMAL ±.015	AREG APPR			STE3500M CUSTOMER	
THREE PLACE DECIMAL ±.005	FINAL			DIMENSIONAL DRWG	
INTERPRET GEOMETRIC TOLERANCING PER ASME Y14.5-2009	RELEASE			MODEL NAME:	
MATERIAL	PROPRIETARY AND CONFIDENTIAL			STE3500M CUSTOMER DIMENSIONAL DRWG	
SEE NOTE 1	THE INFORMATION CONTAINED IN THIS DRAWING IS THE SOLE PROPERTY OF RAMSEY ELECTRONICS. ANY REPRODUCTION IN PART OR AS A WHOLE WITHOUT THE WRITTEN PERMISSION OF RAMSEY ELECTRONICS IS PROHIBITED.			SIZE	
FINISH				D	
SEE NOTE 4 & 6				SCALE: 1:5	
DO NOT SCALE DRAWING				SHEET 2 OF 2	
				REV	