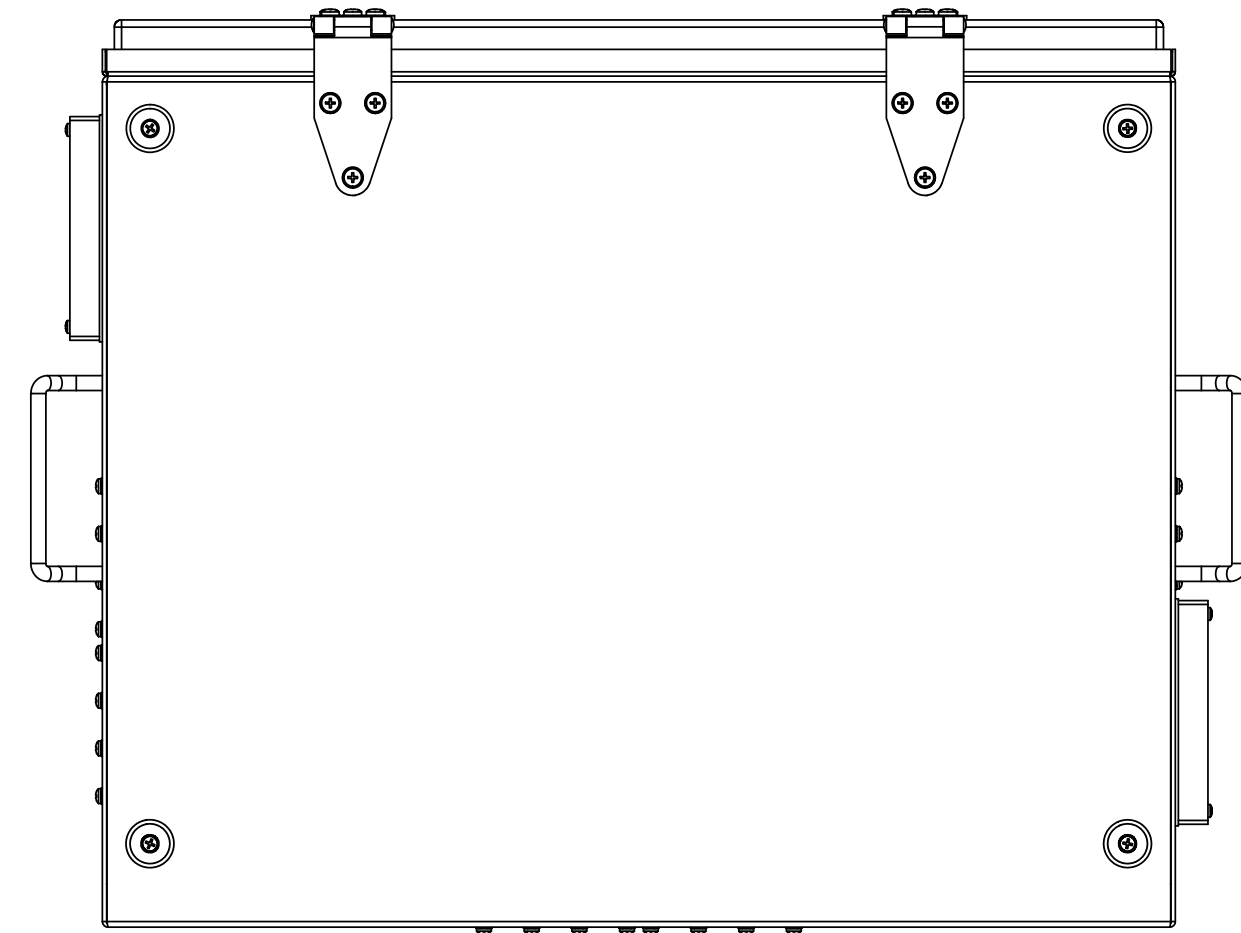
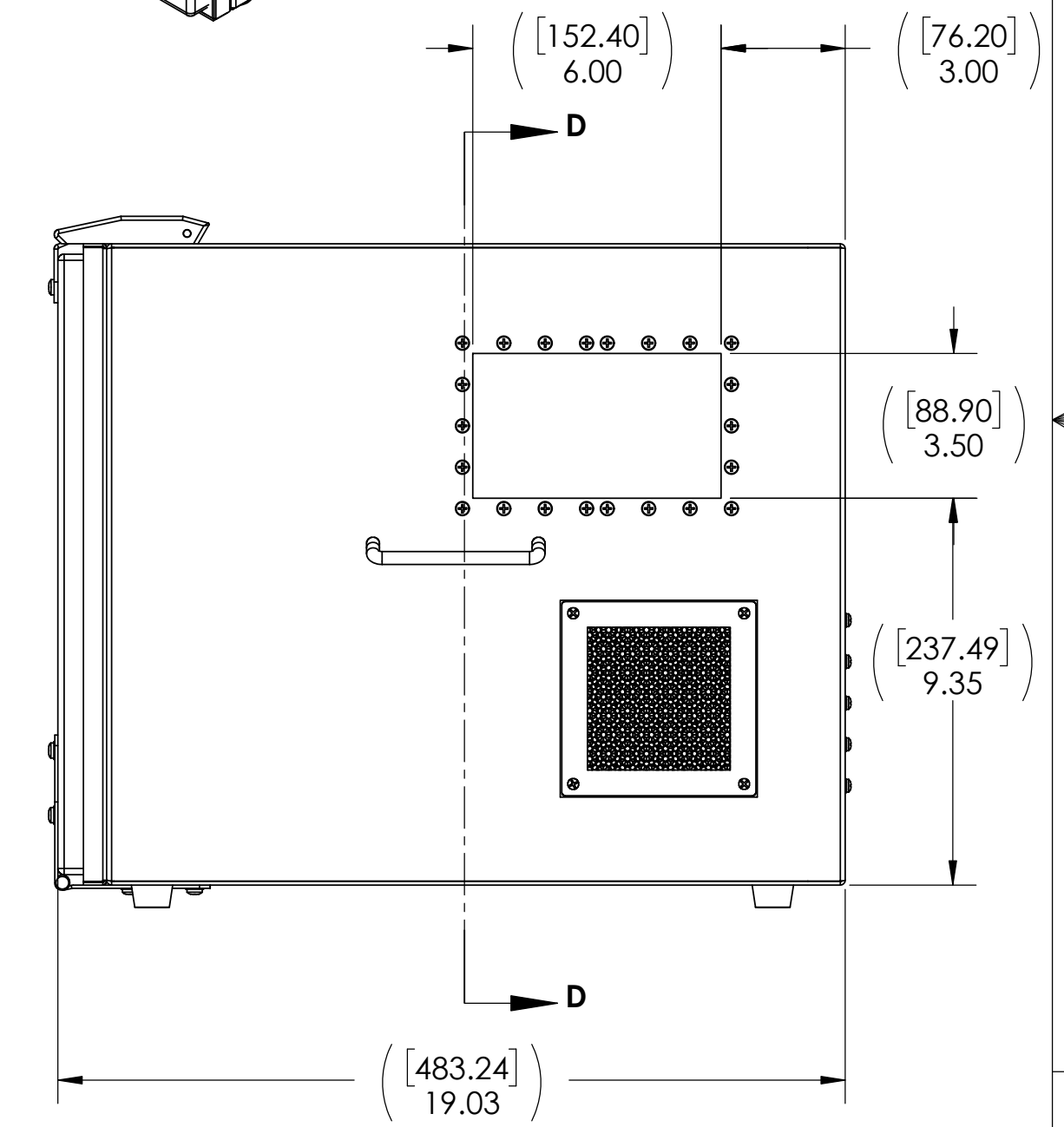
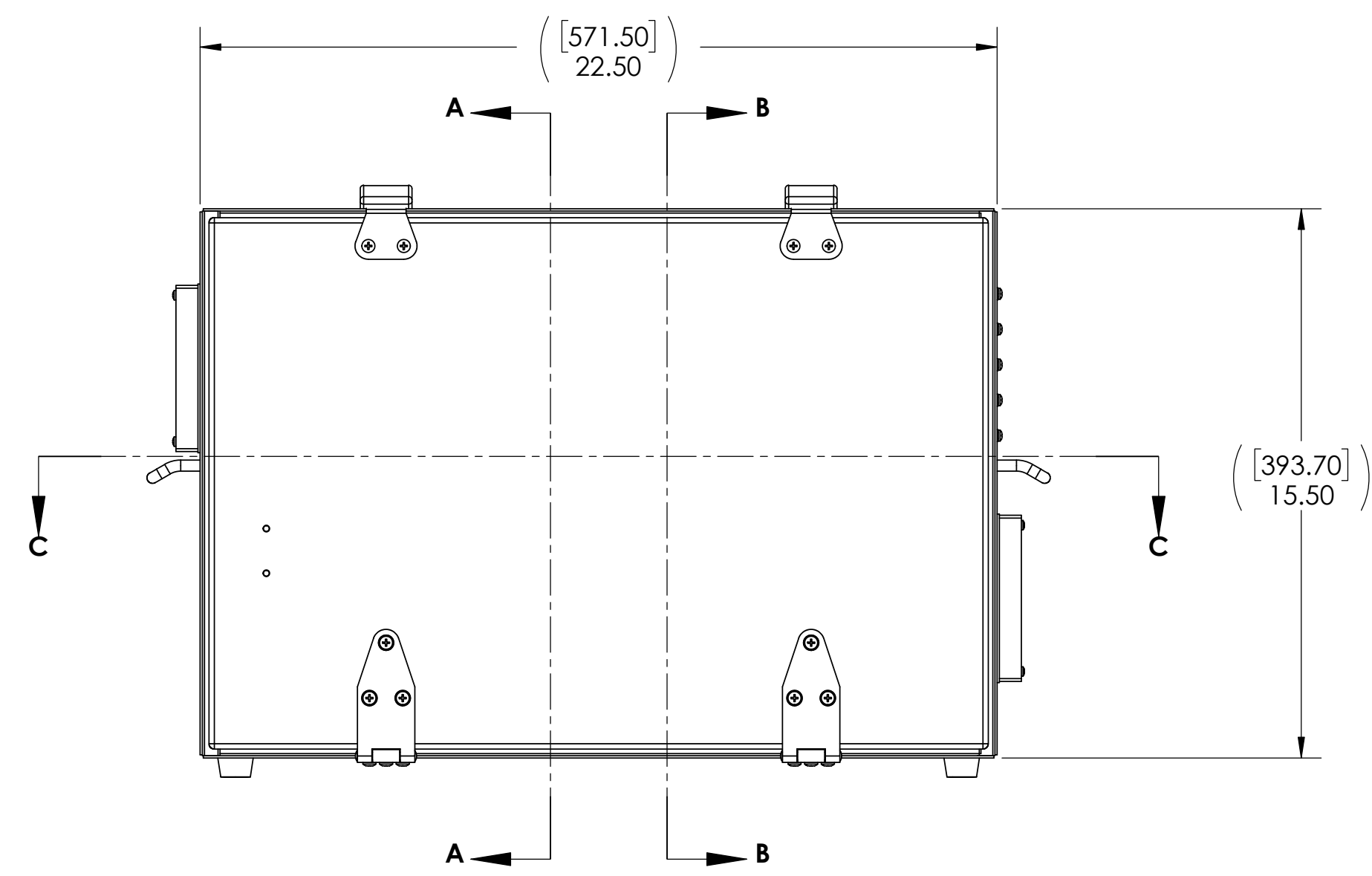
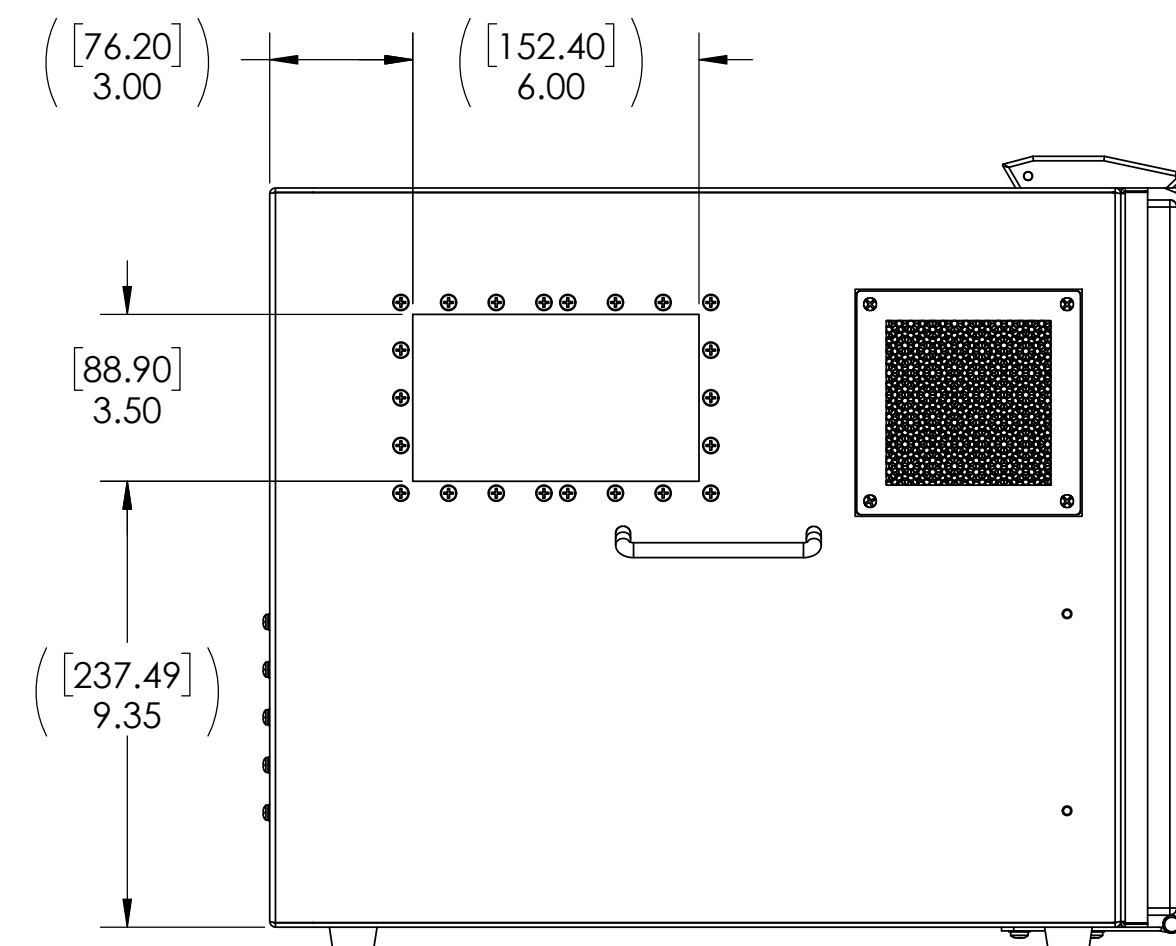
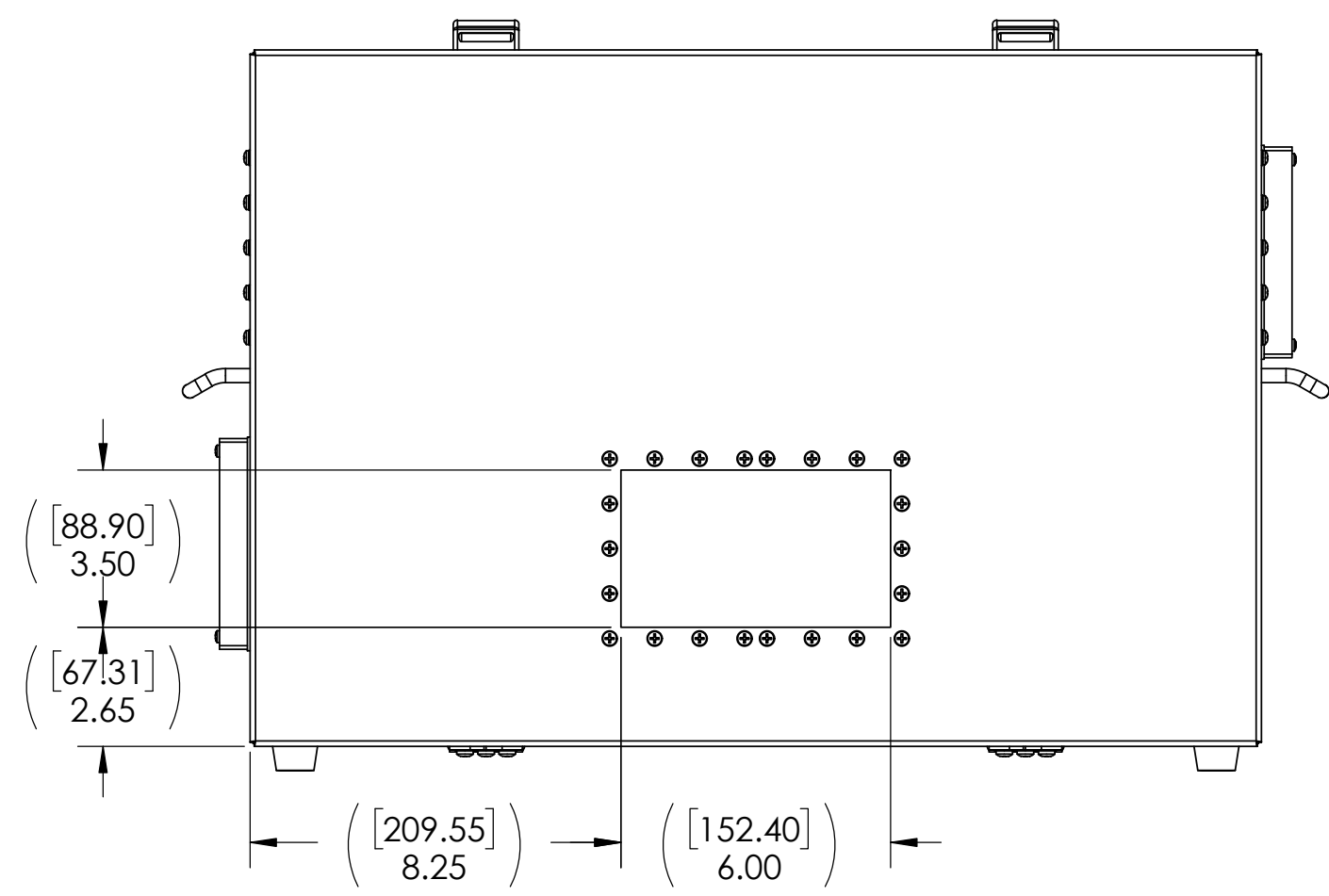
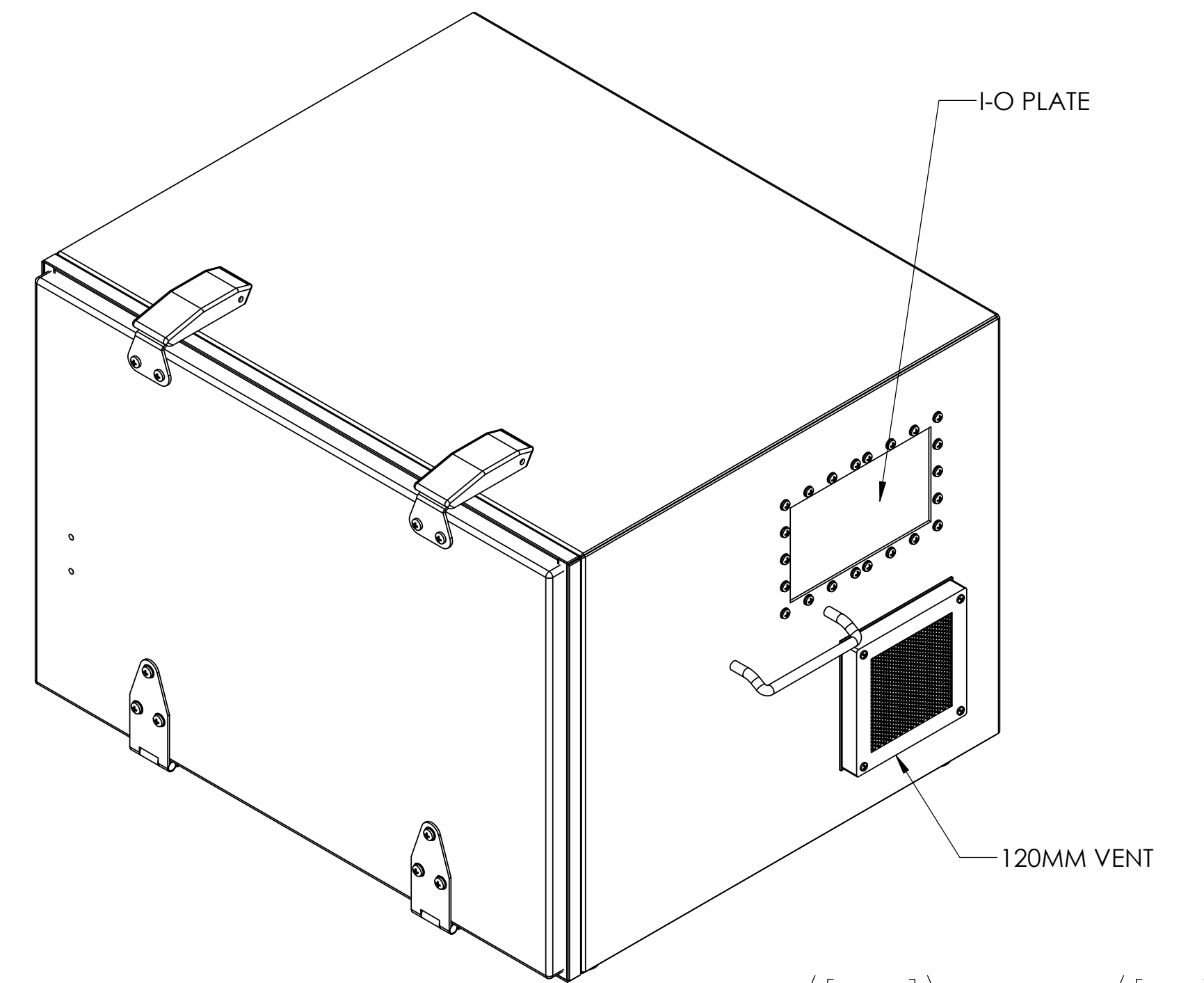
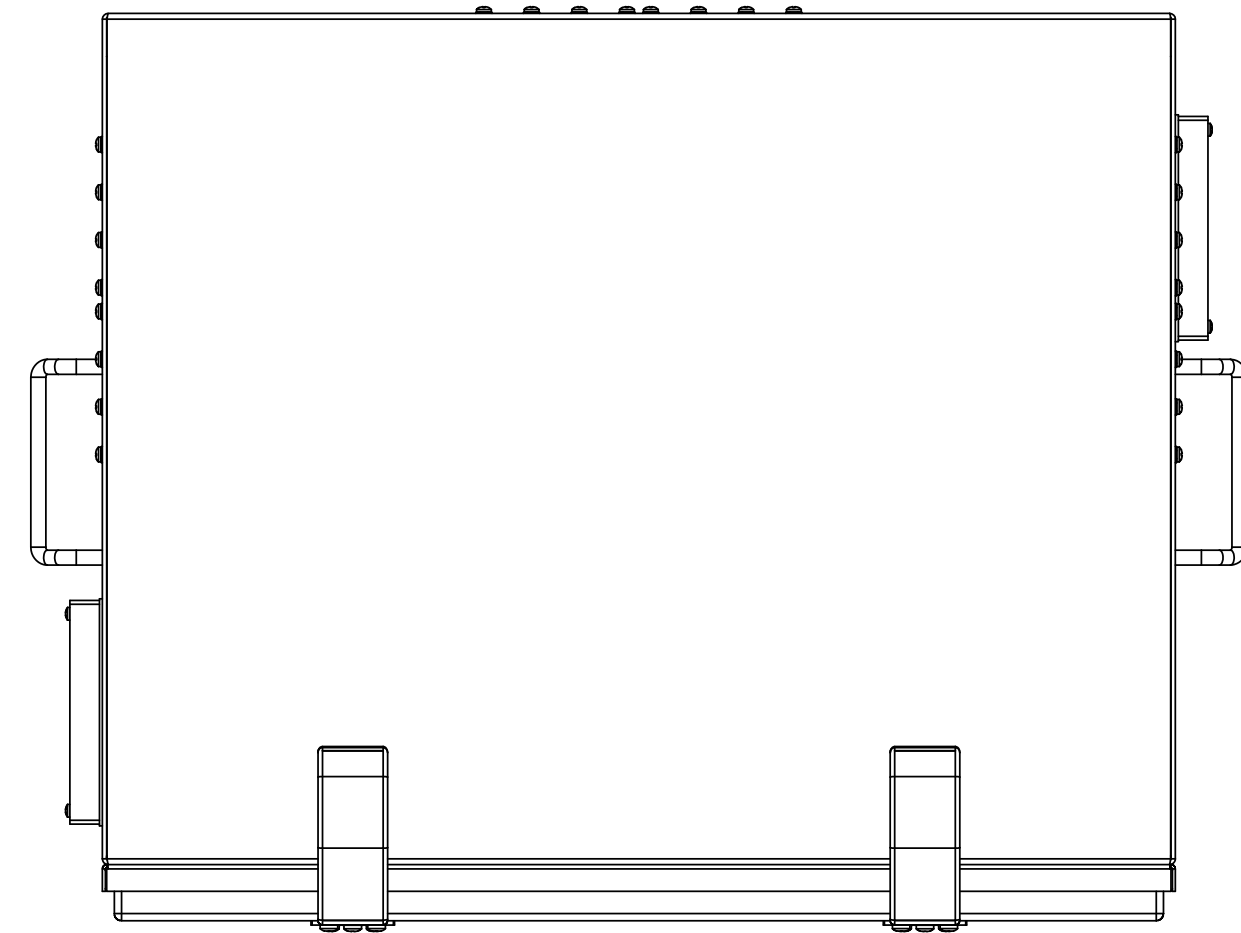
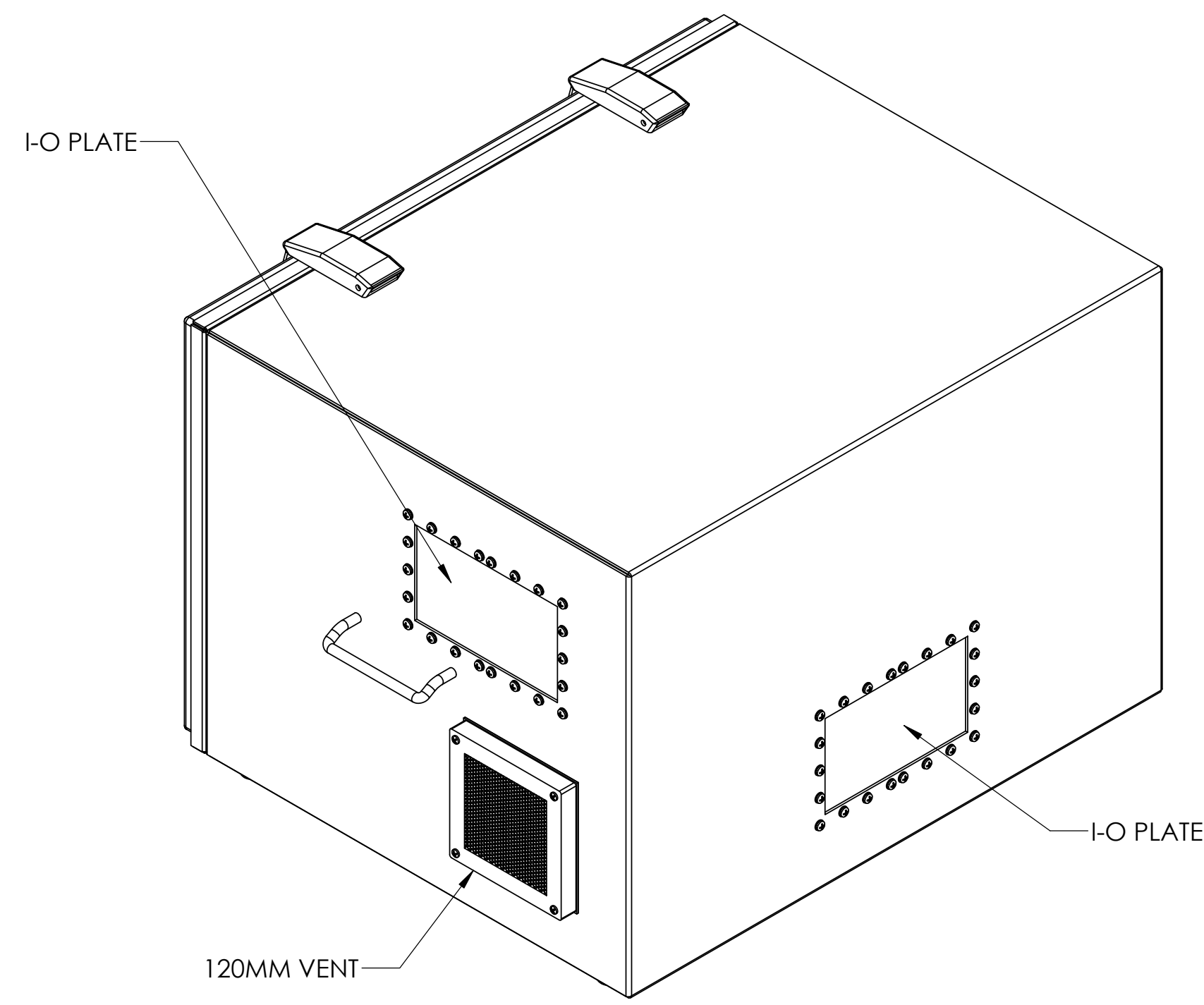
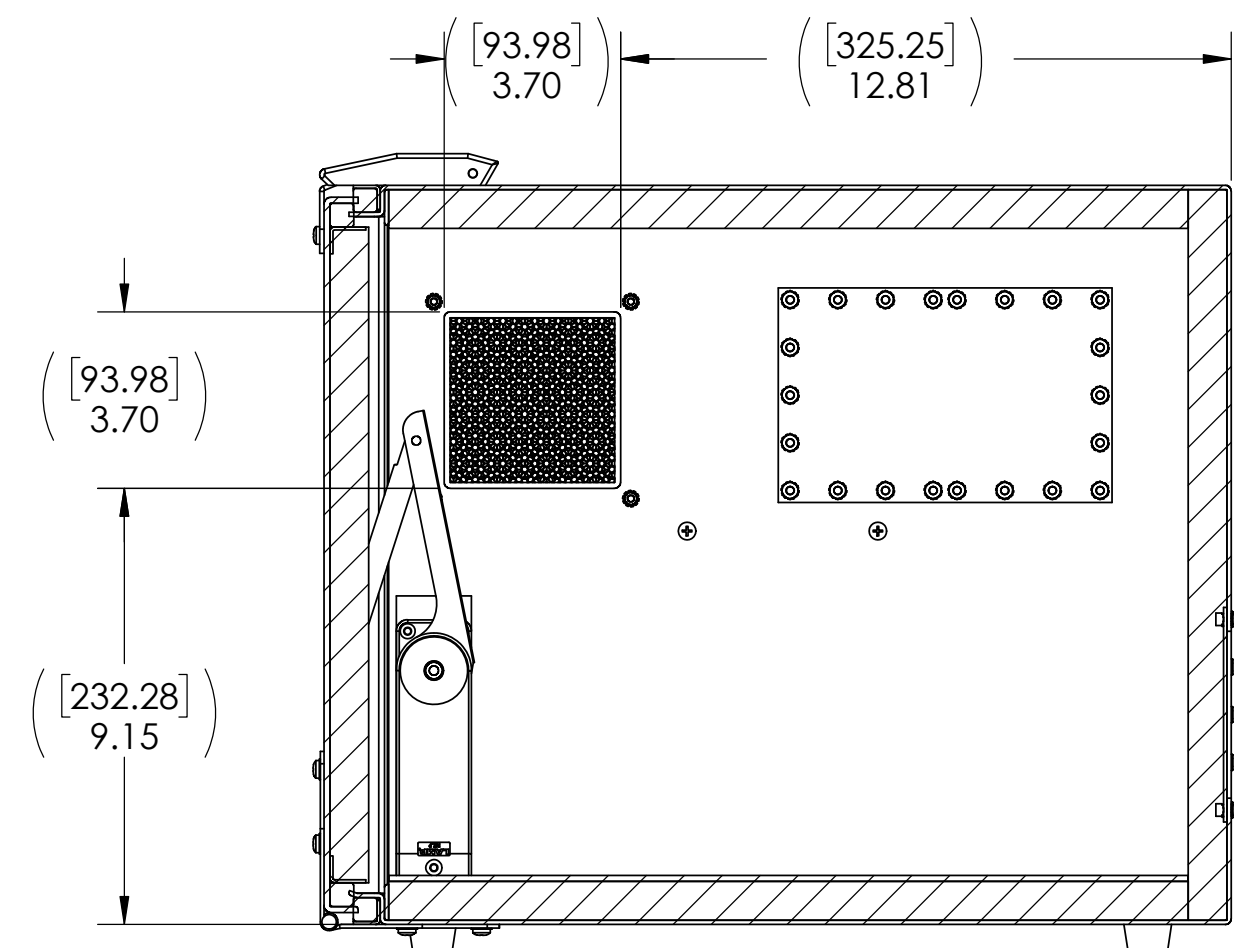


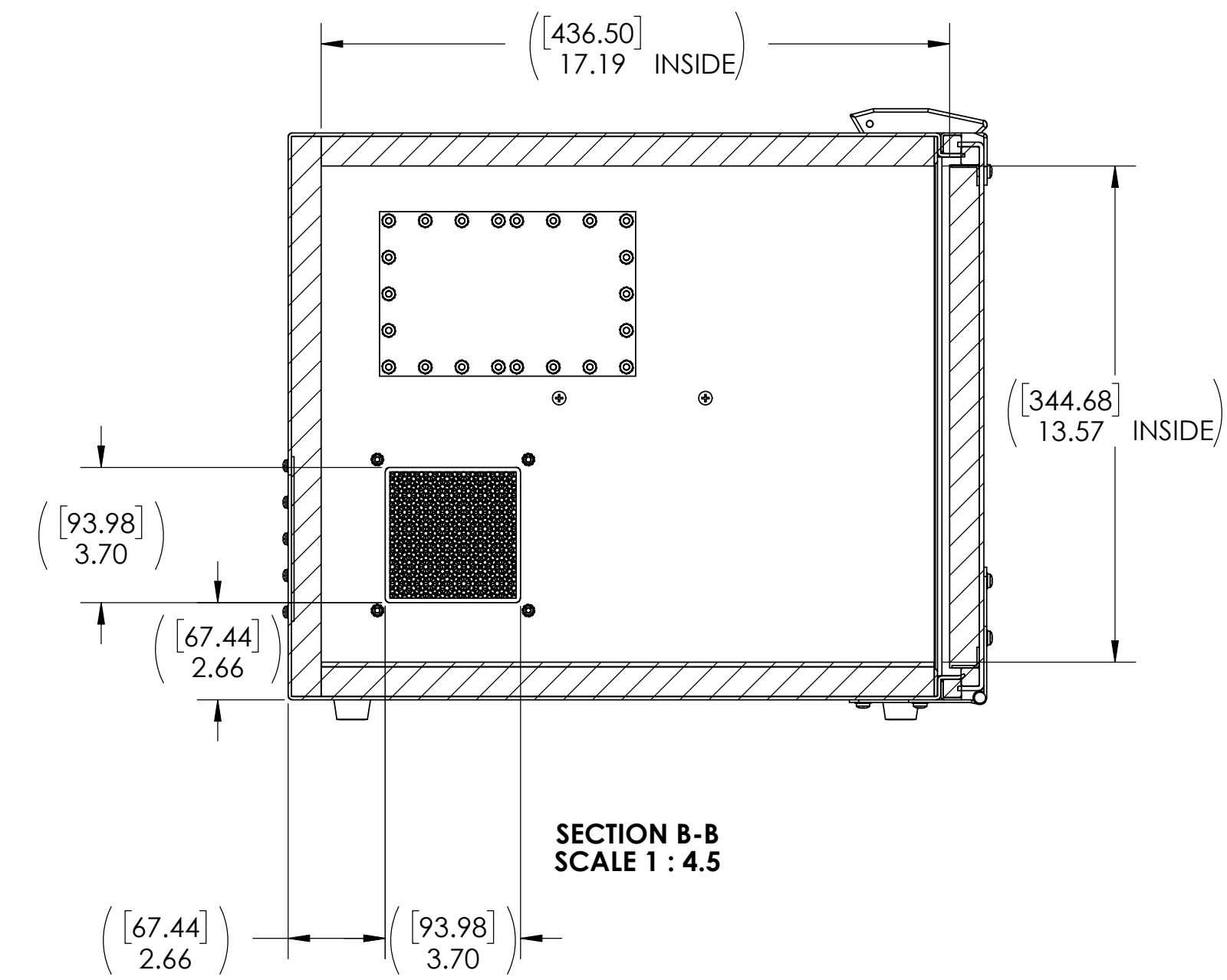
REVISIONS			
REV.	DESCRIPTION	DATE	DRAWN BY
A	ADDED HARDBOARD TO FOAM FLOOR	1/14/2022	T. COAKLEY
B	ADDED LOCATING DIMENSIONS	5/19/2023	J. TANDLE
C	FOAM THICKNESS UPDATED	12/19/2023	T. COAKLEY



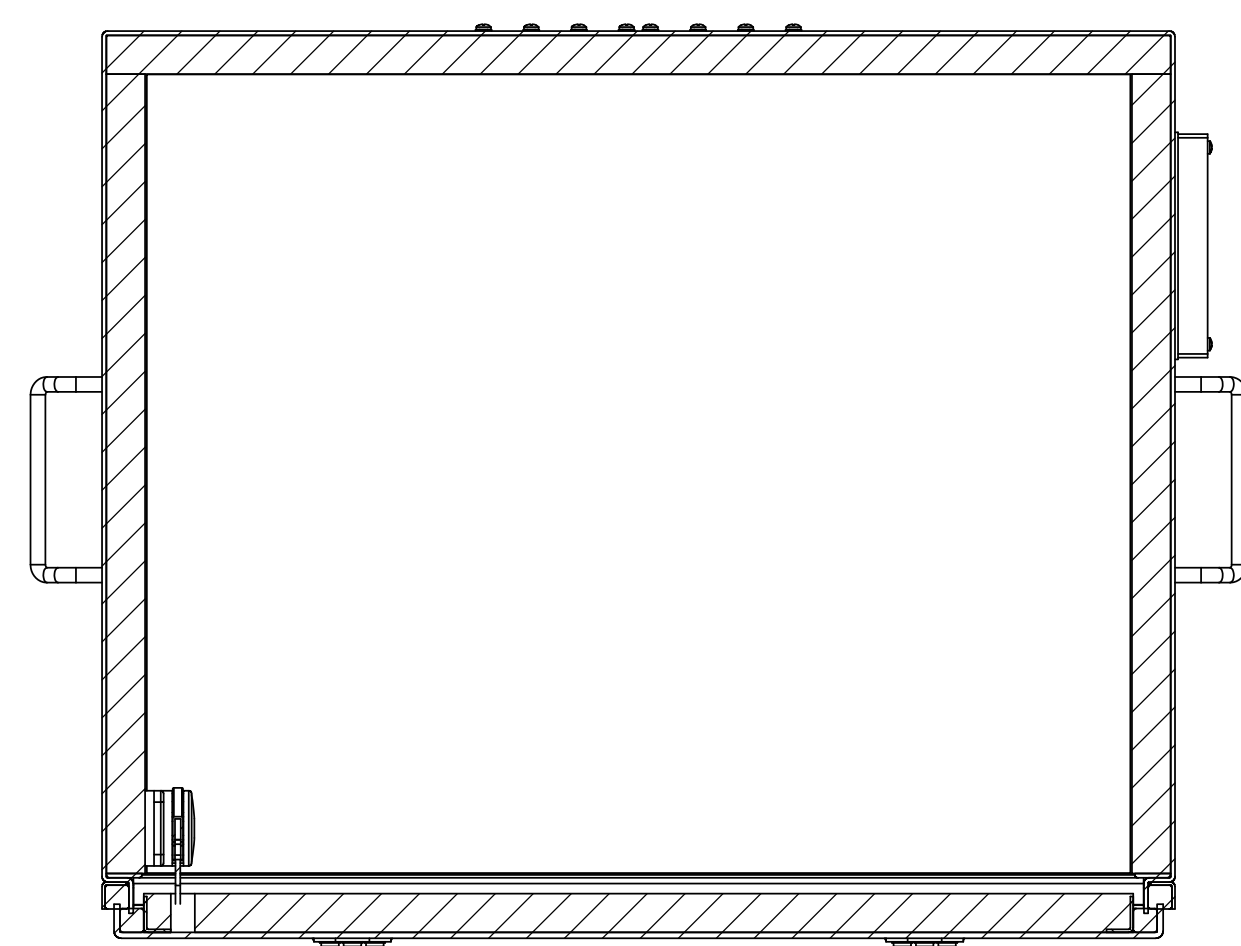
<p>Ramsey Electronics® 590 Fishers Station Dr. Victor, NY 14564 Ph. (585) 924-4560 www.ramseytest.com</p>	UNLESS OTHERWISE SPECIFIED: DIMENSIONS ARE IN INCHES TOLERANCES: ANGULAR: MATCH ±0.5° BEND ±1° TWO PLACE DECIMAL ±.015 THREE PLACE DECIMAL ±.005	NAME T. COAKLEY	DATE 05/07/21	TITLE: STE4400M CUSTOMER DIMENSIONAL DRWG
	INTERPRET GEOMETRIC TOLERANCING PER ASME Y14.5-2009	CHECKED PMT	05/14/21	DWG. NO. STE4400M CUSTOMER DIMENSIONAL DRWG
	MATERIAL SEE NOTE 1	ENG APPR. PMT		MODEL NAME: STE4400M CUSTOMER DIMENSIONAL DRWG
	FINISH SEE NOTE 4 & 6	DATE 05/14/21		SIZE D
DO NOT SCALE DRAWING	PROPRIETARY AND CONFIDENTIAL THE INFORMATION CONTAINED IN THIS DRAWING IS THE SOLE PROPERTY OF RAMSEY ELECTRONICS. ANY REPRODUCTION IN PART OR AS A WHOLE WITHOUT THE WRITTEN PERMISSION OF RAMSEY ELECTRONICS IS PROHIBITED.			SCALE: 1:5
				SHEET 1 OF 2
				REV C



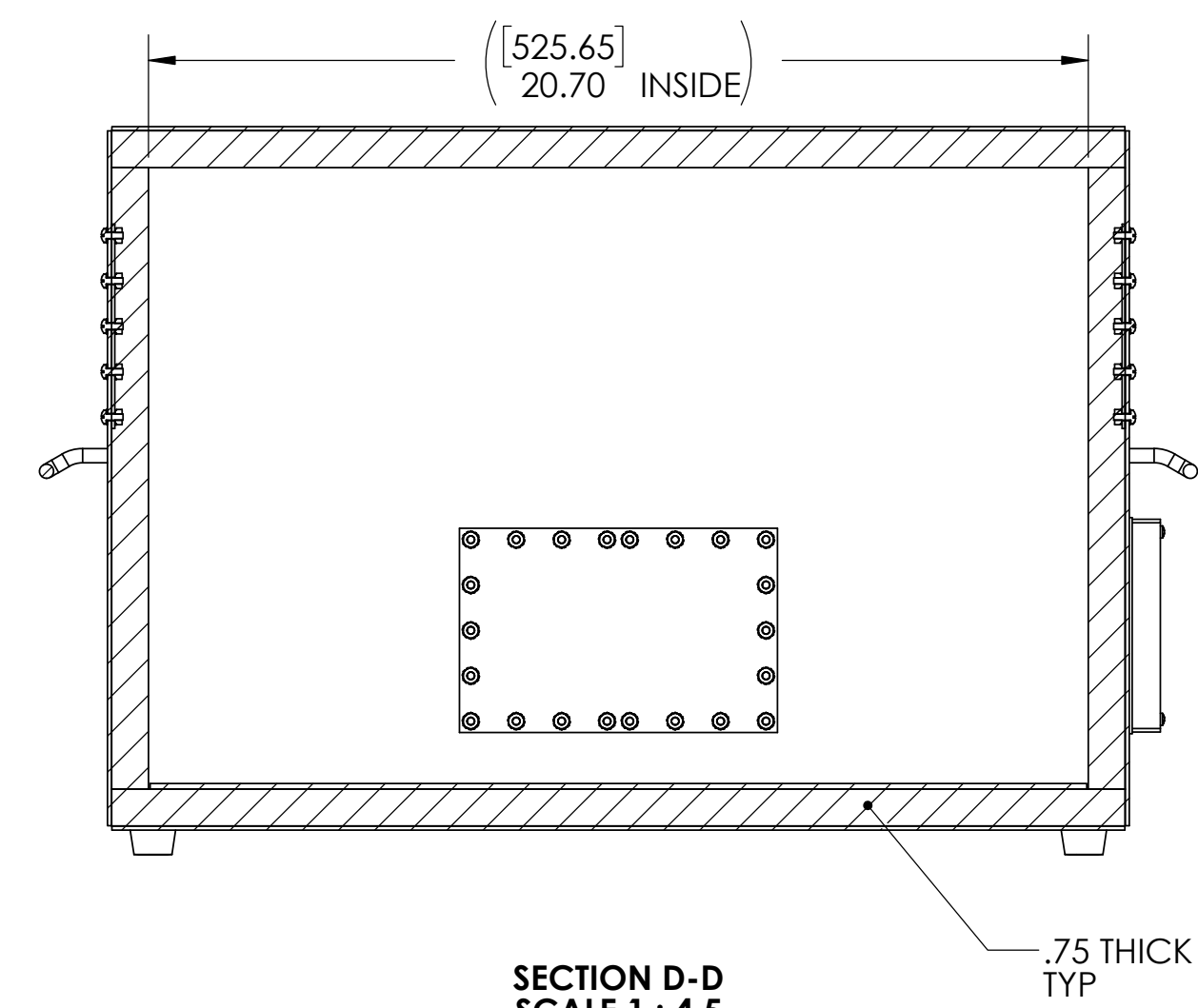
SECTION A-A  
SCALE 1 : 4.5



SECTION B-B  
SCALE 1 : 4.5



SECTION C-C  
SCALE 1 : 4.5



SECTION D-D  
SCALE 1 : 4.5  
.75 THICK  
TYP

<p>Ramsey Electronics® 590 Fishers Station Dr. Victor, NY 14564 Ph. (585) 924-4560 www.ramseytest.com</p>	UNLESS OTHERWISE SPECIFIED:	NAME	DATE	TITLE:	
	DIMENSIONS ARE IN INCHES	DRAWN	T. COAKLEY	05/07/21	STE4400M
	TOLERANCES:	CHECKED			CUSTOMER DIMENSIONAL DRWG
	ANGULAR: MATCH ±0.5° BEND ±1°	ENG APPR			DWG. NO.
TWO PLACE DECIMAL ±.015	APPROV			STE4400M CUSTOMER	
THREE PLACE DECIMAL ±.005	FINAL			DIMENSIONAL DRWG	
INTERPRET GEOMETRIC TOLERANCING PER ASME Y14.5-2009	RELEASE			MODEL NAME:	
MATERIAL	PROPRIETARY AND CONFIDENTIAL			STE4400M CUSTOMER DIMENSIONAL DRWG	
SEE NOTE 1	THE INFORMATION CONTAINED IN THIS DRAWING IS THE SOLE PROPERTY OF RAMSEY ELECTRONICS. ANY REPRODUCTION IN PART OR AS A WHOLE WITHOUT THE WRITTEN PERMISSION OF RAMSEY ELECTRONICS IS PROHIBITED.			SIZE	
FINISH				D	
SEE NOTE 4 & 6				SCALE: 1:5	
DO NOT SCALE DRAWING				SHEET 2 OF 2	
				REV	
				C	