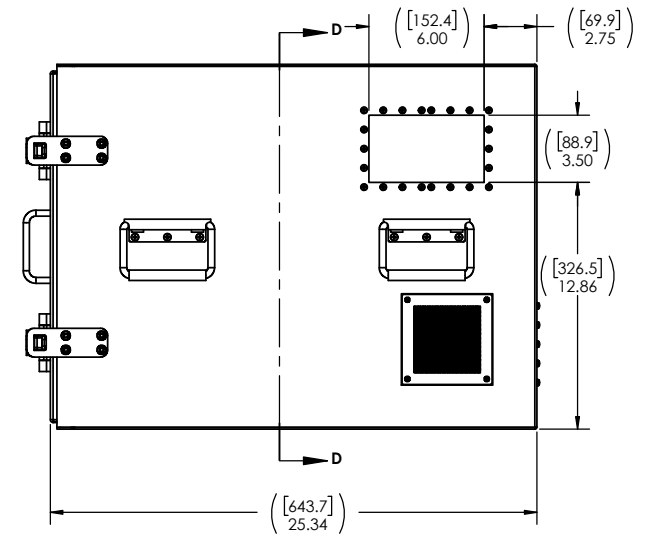
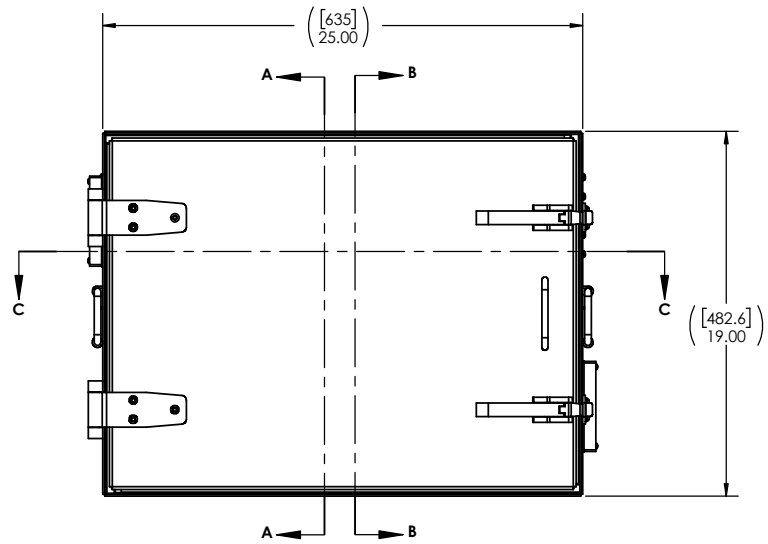
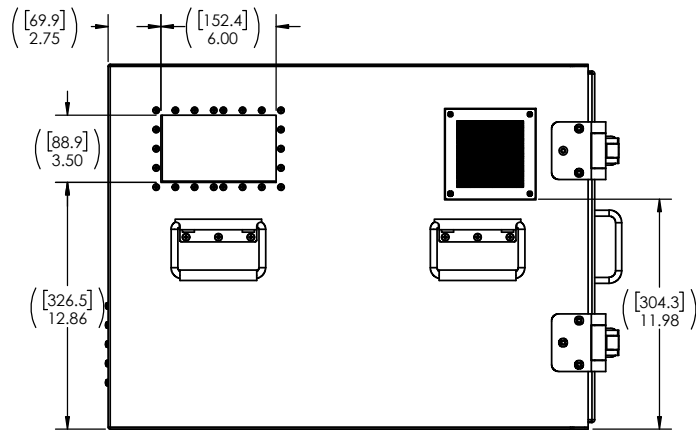
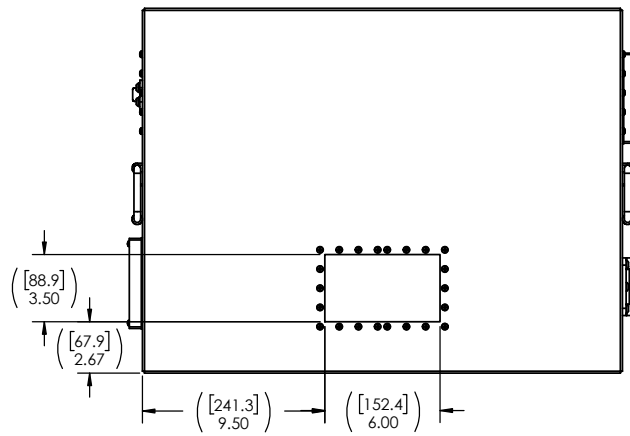
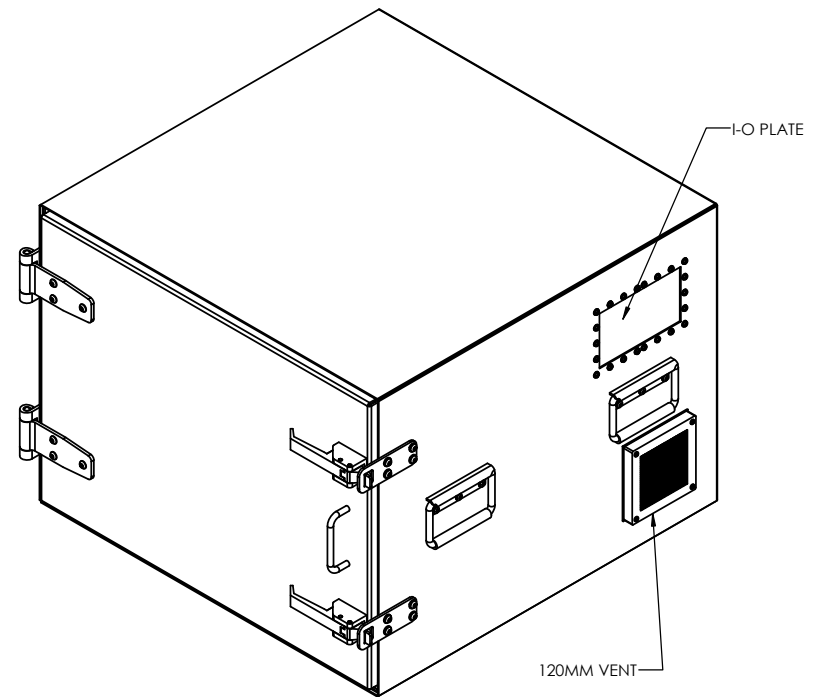
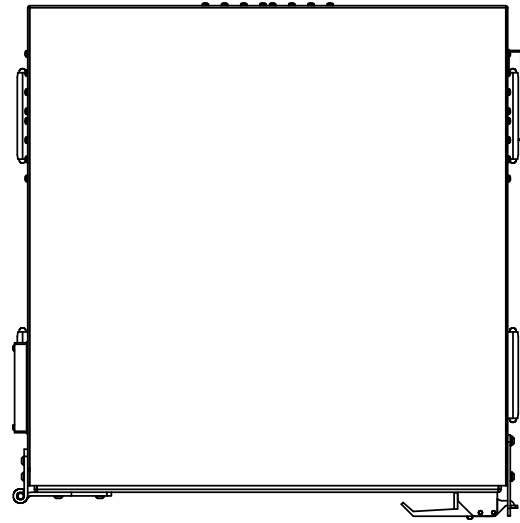
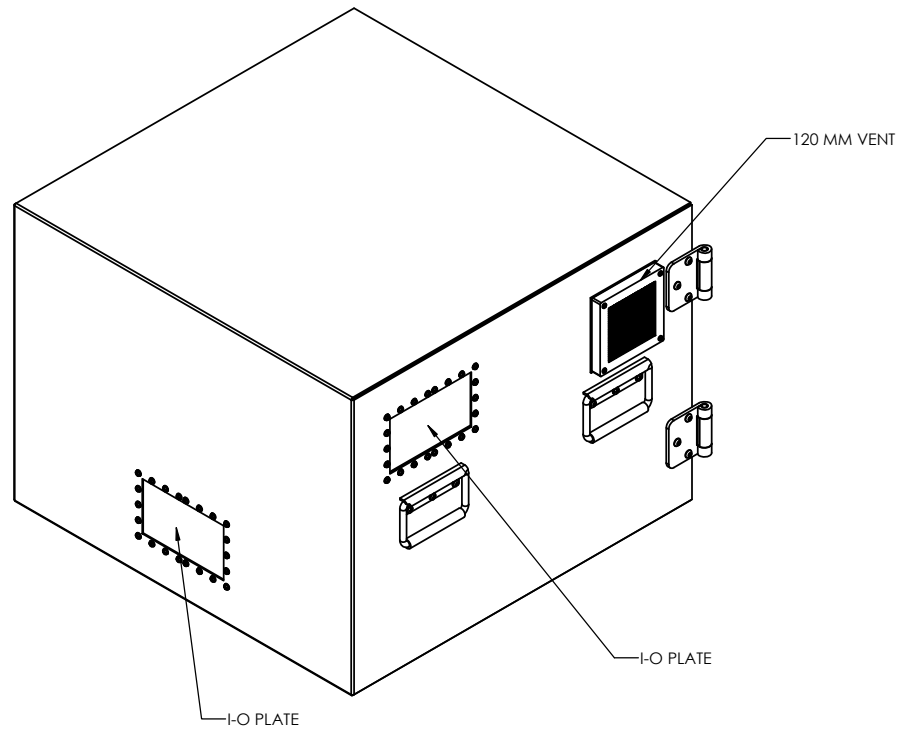
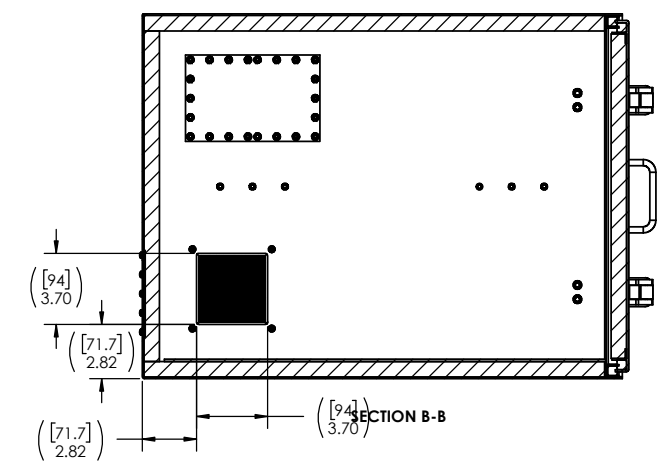
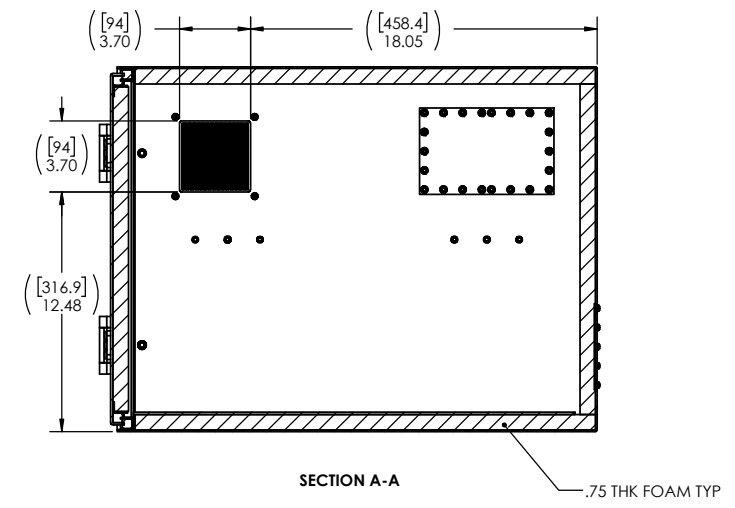
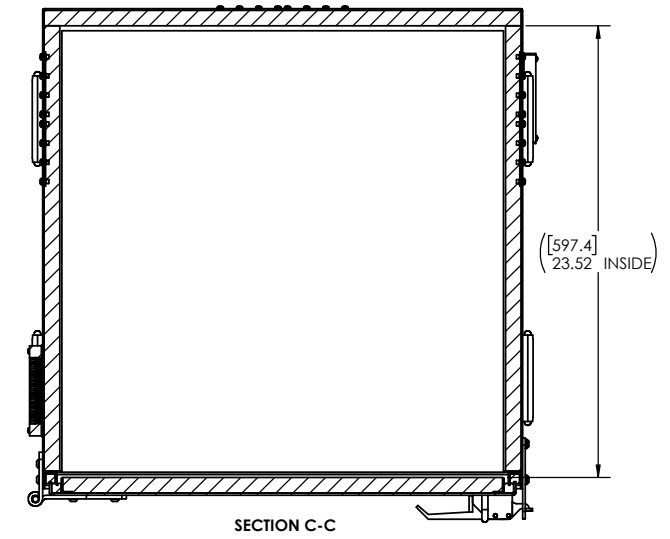
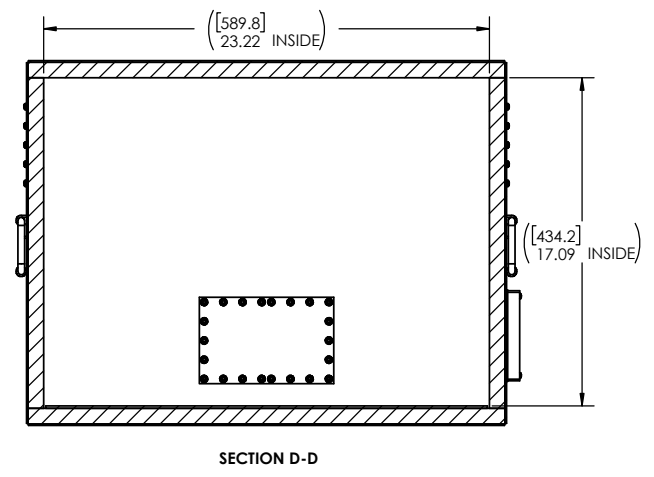


REVISIONS			
REV.	DESCRIPTION	DATE	DRAWN BY
A	ADDED HARDBOARD TO FOAM FLOOR	1/14/2022	T. COAKLEY
B	ADDED LOCATION DIMENSIONS	5/19/2023	J TANDLE
C	FOAM THICKNESS UPDATED	12/22/2023	T. COAKLEY



<p>Ramsey Electronics® 590 Fishers Station Dr. Victor, NY 14564 Ph: (585) 924-4560 www.ramseytest.com</p>	UNLESS OTHERWISE SPECIFIED: DIMENSIONS ARE IN INCHES TOLERANCES: ANGULAR: MATCH #0.5° BEND ±1° TWO PLACE DECIMAL ± 0.15 THREE PLACE DECIMAL ± 0.05	<table border="1"> <tr> <th>NAME</th> <th>DATE</th> </tr> <tr> <td>T. COAKLEY</td> <td>03/03/21</td> </tr> <tr> <td>PMT</td> <td>03/04/21</td> </tr> </table>	NAME	DATE	T. COAKLEY	03/03/21	PMT	03/04/21	TITLE: STES000M CUSTOMER DIMENSIONAL DRWG		
	NAME	DATE									
	T. COAKLEY	03/03/21									
	PMT	03/04/21									
INTERPRET GEOMETRIC TOLERANCING PER ASME Y14.5-2009	<table border="1"> <tr> <th>NAME</th> <th>DATE</th> </tr> <tr> <td>T. COAKLEY</td> <td>03/03/21</td> </tr> <tr> <td>PMT</td> <td>03/04/21</td> </tr> </table>	NAME	DATE	T. COAKLEY	03/03/21	PMT	03/04/21	DWG. NO. STES000M CUSTOMER DIMENSIONAL DRWG			
NAME	DATE										
T. COAKLEY	03/03/21										
PMT	03/04/21										
<table border="1"> <tr> <th>DATE</th> <th>DESCRIPTION</th> </tr> <tr> <td>03/03/21</td> <td>INITIAL RELEASE</td> </tr> </table>	DATE	DESCRIPTION	03/03/21	INITIAL RELEASE	<p>THE INFORMATION CONTAINED IN THIS DRAWING IS THE SOLE PROPERTY OF RAMSEY ELECTRONICS. ANY REPRODUCTION IN PART OR AS A WHOLE WITHOUT THE WRITTEN PERMISSION OF RAMSEY ELECTRONICS IS PROHIBITED.</p>	MODEL NAME: STES000M CUSTOMER DIMENSIONAL DRWG					
DATE	DESCRIPTION										
03/03/21	INITIAL RELEASE										
<table border="1"> <tr> <th>SIZE</th> <th>SCALE</th> <th>SHEET</th> <th>REV</th> </tr> <tr> <td>D</td> <td>1:5</td> <td>1 OF 2</td> <td>C</td> </tr> </table>	SIZE	SCALE	SHEET	REV	D	1:5	1 OF 2	C			
SIZE	SCALE	SHEET	REV								
D	1:5	1 OF 2	C								



<p>Ramsey Electronics 590 Fishers Station Dr. Victor, NY 14564 Ph. (585) 924-4560 www.ramseytest.com</p>	UNLESS OTHERWISE SPECIFIED: DIMENSIONS ARE IN INCHES TOLERANCES: ANGULAR: MATCH #0.5° BEND ±1° TWO PLACE DECIMAL ±.015 THREE PLACE DECIMAL ±.005 INTERPRET GEOMETRIC TOLERANCING PER ASME Y14.5-2009 MATERIAL: SEE NOTE 1 FINISH: SEE NOTE 4 & 4 DO NOT SCALE DRAWING	NAME: T. COAKLEY DATE: 03/03/21 DRAWN: T. COAKLEY CHECKED: ENG APPR: MFG APPR: TRNG RELEASE:	TITLE: STE5000M CUSTOMER DIMENSIONAL DRWG DWG. NO.: STE5000M CUSTOMER DIMENSIONAL DRWG MODEL NAME: STE5000M CUSTOMER DIMENSIONAL DRWG
	THE INFORMATION CONTAINED IN THIS DRAWING IS THE SOLE PROPERTY OF RAMSEY ELECTRONICS. ANY REPRODUCTION IN PART OR AS A WHOLE WITHOUT THE WRITTEN PERMISSION OF RAMSEY ELECTRONICS IS PROHIBITED.	SIZE: D SCALE: 1:5 SHEET 2 OF 2	REV: C