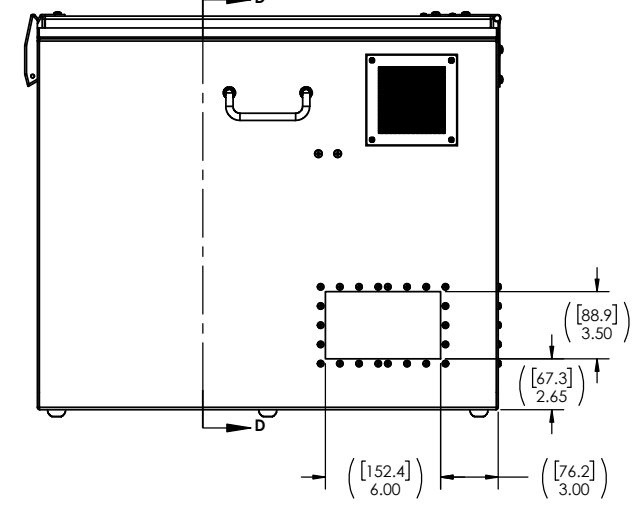
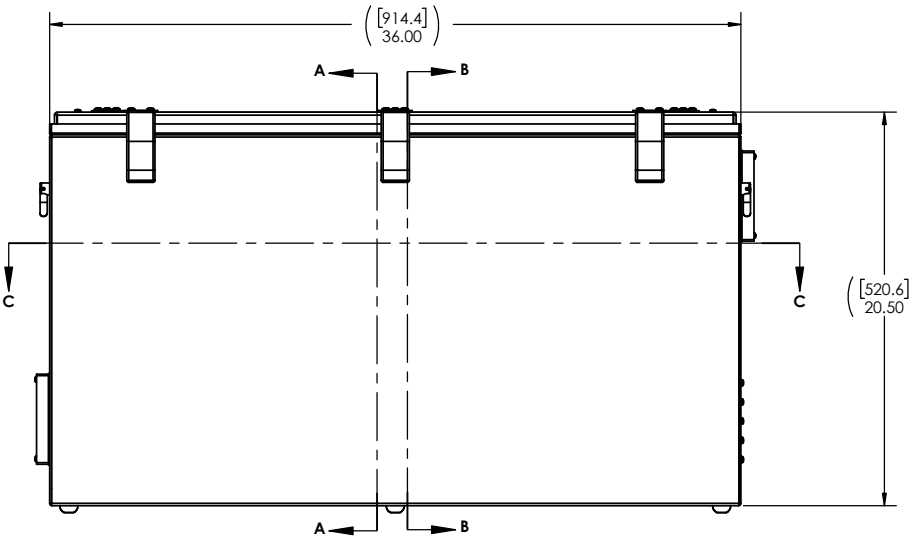
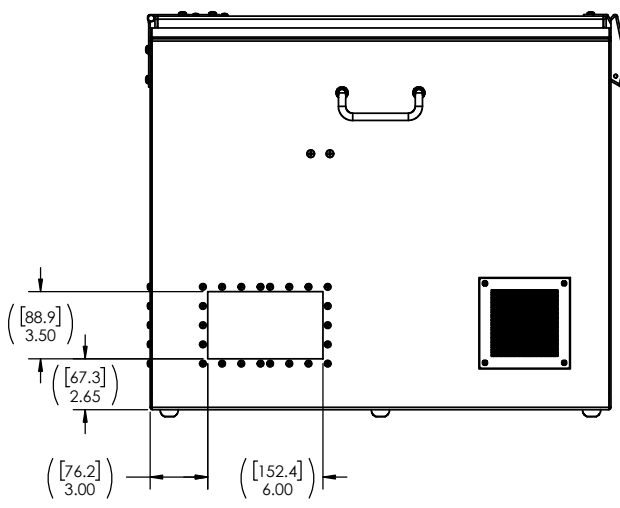
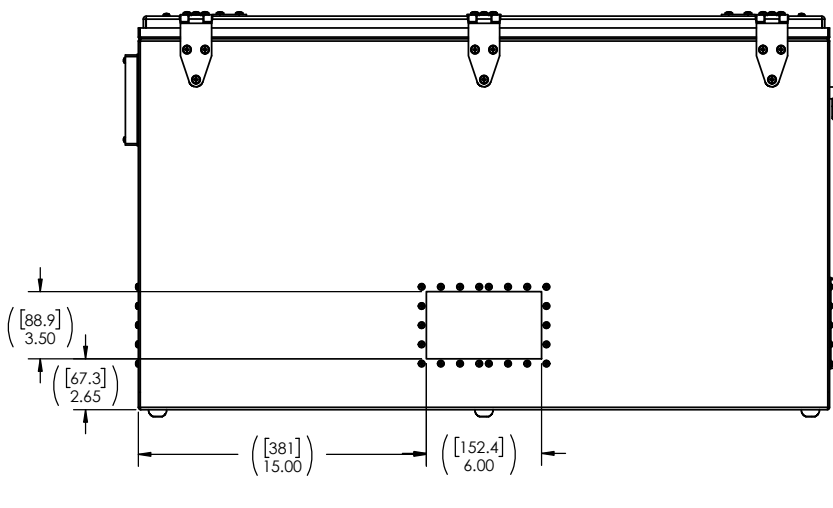
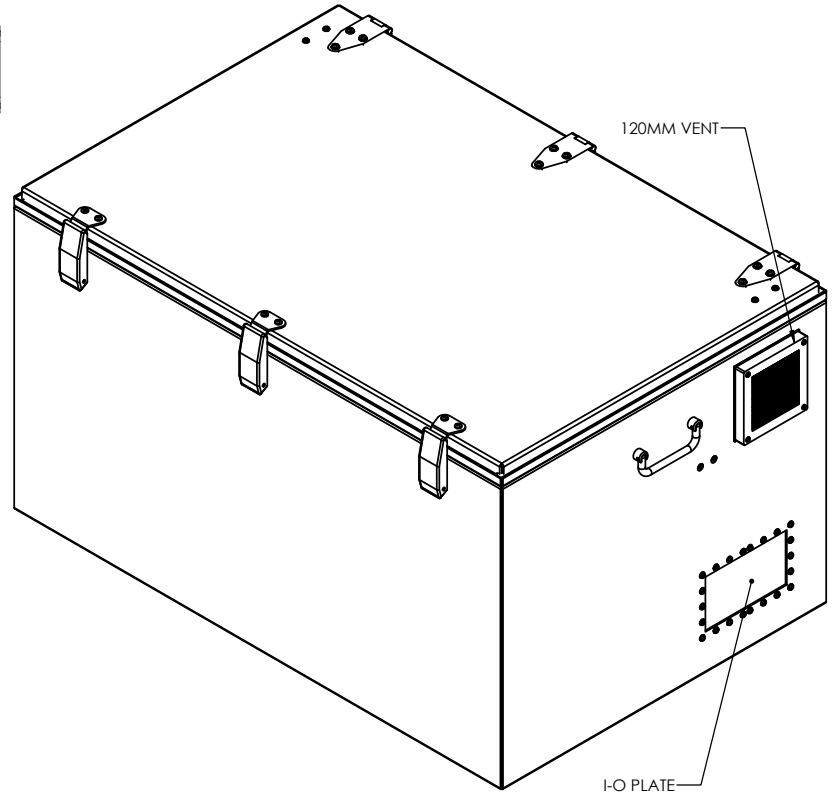
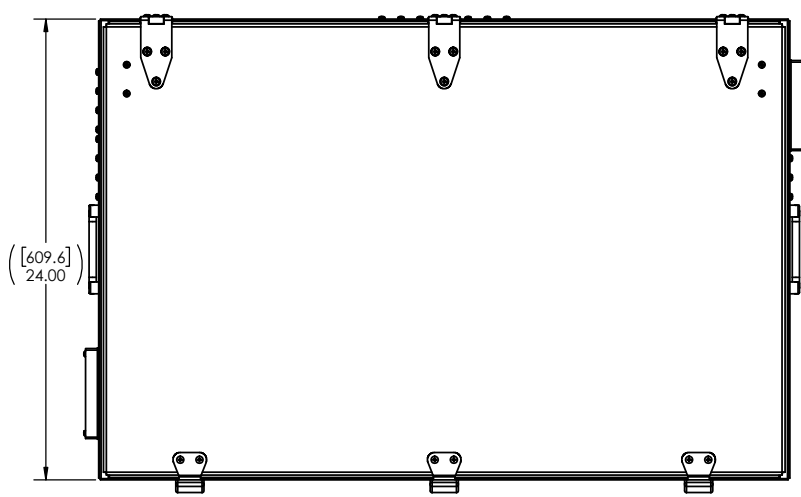
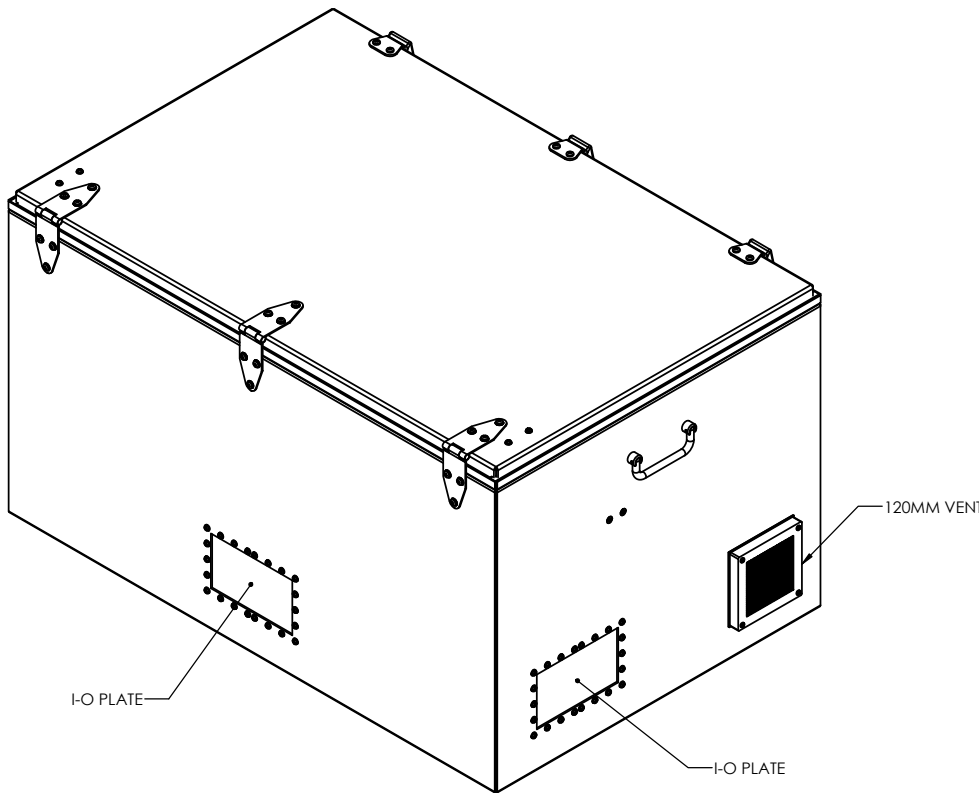
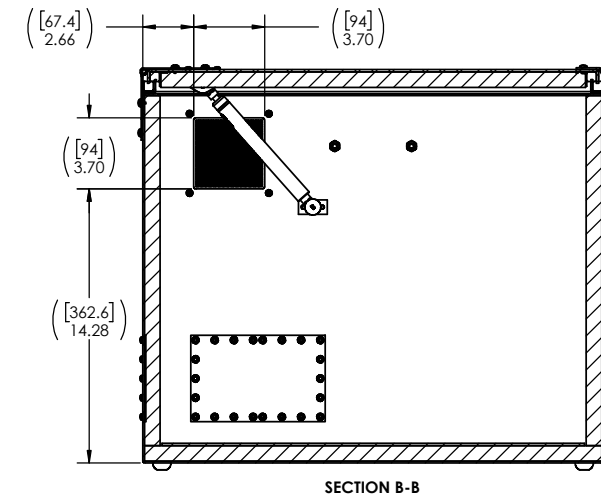
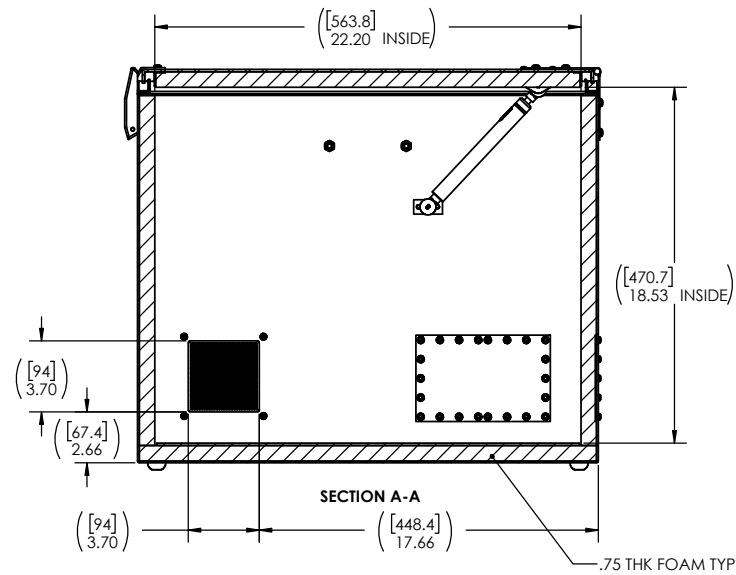
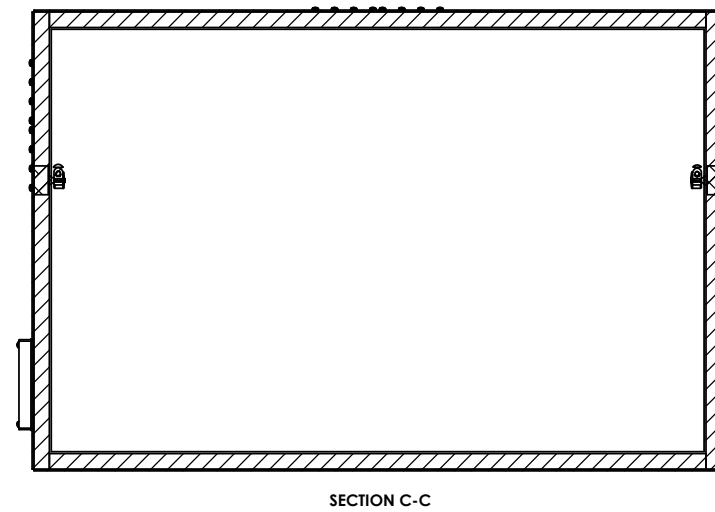
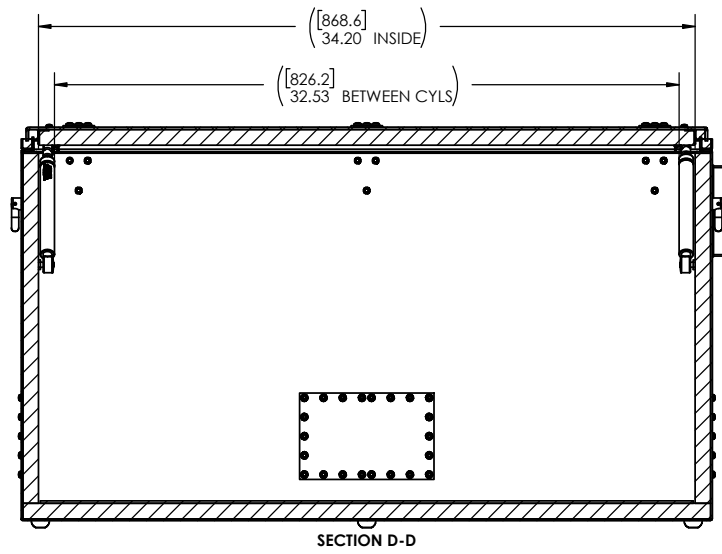


REVISIONS			
REV.	DESCRIPTION	DATE	DRAWN BY
A	ADDED REFERENCE DIMENSIONS TO I-O PANELS	2/15/2021	TPC
B	ADDED HARDBOARD TO FOAM FLOOR	1/14/2022	T. COAKLEY
C	ADDED LOCATING DIMENSIONS	5/19/2023	J.TANDLE
D	FOAM THICKNESS UPDATED	12/15/2023	T. COAKLEY



<p>Ramsey Electronics® 590 Fishers Station Dr. Victor, NY 14564 Ph. (585) 924-4560 www.ramseytest.com</p>	<p>UNLESS OTHERWISE SPECIFIED: DIMENSIONS ARE IN INCHES TOLERANCES: ANGULAR: MATCH #0.5° BEND ±1 TWO PLACE DECIMAL ±.015 THREE PLACE DECIMAL ±.005</p>	<p>DESIGNED BY: T. COAKLEY DATE: 02/15/21</p> <p>CHECKED BY: PMT DATE: 02/15/21</p> <p>ENG APPR: PMT DATE: 02/15/21</p> <p>MFG APPR: [ ] DATE: [ ]</p> <p>TRIAL RELEASE: [ ]</p>	<p>TITLE: STE6300M CUSTOMER DIMENSIONAL DRWG DWG. NO: STE6300M CUSTOMER DIMENSIONAL DRWG MODEL NAME: STE6300M CUSTOMER DIMENSIONAL DRWG</p>	
	<p>INTERPRET GEOMETRIC CLEARANCING PER ASME Y14.5-2009</p> <p>MATERIAL: [ ]</p> <p>FINISH: [ ]</p> <p>SEE NOTE 4.8.4</p> <p>DO NOT SCALE DRAWING</p>	<p>PROPRIETARY AND CONFIDENTIAL THE INFORMATION CONTAINED IN THIS DRAWING IS THE SOLE PROPERTY OF RAMSEY ELECTRONICS. ANY REPRODUCTION IN PART OR AS A WHOLE WITHOUT THE WRITTEN PERMISSION OF RAMSEY ELECTRONICS IS PROHIBITED.</p>	<p>SIZE: D</p> <p>SCALE: 1:5</p> <p>SHEET 1 OF 2</p>	<p>REV: D</p>



<p>Ramsey Electronics® 590 Fishers Station Dr. Victor, NY 14564 Ph. (585) 924-4560 www.ramseytest.com</p>	UNLESS OTHERWISE SPECIFIED:	NAME	DATE	TITLE:	
	DIMENSIONS ARE IN INCHES	DRAWN	T. COAKLEY	02/15/21	STE6300M
	TOLERANCES:	CHECKED			CUSTOMER DIMENSIONAL DRWG
	ANGULAR: MATCH #0.5° BEND ±1°	ENG APPR.			DWG. NO.
TWO PLACE DECIMAL ±0.15	MFG APPR.			STE6300M CUSTOMER	
THREE PLACE DECIMAL ±0.05	TRIAL			DIMENSIONAL DRWG	
INTERPRET GEOMETRIC TOLERANCING PER ASME Y14.5-2009	RELEASE			MODEL NAME:	
MATERIAL:	<p>PROPRIETARY AND CONFIDENTIAL</p> <p>THE INFORMATION CONTAINED IN THIS DRAWING IS THE SOLE PROPERTY OF RAMSEY ELECTRONICS. ANY REPRODUCTION IN PART OR AS A WHOLE WITHOUT THE WRITTEN PERMISSION OF RAMSEY ELECTRONICS IS PROHIBITED.</p>			STE6300M CUSTOMER DIMENSIONAL DRWG	
FINISH:	SEE NOTE 1	SIZE	D	SCALE: 1:5	
SEE NOTE 4 & 4	DO NOT SCALE DRAWING	SHEET 2 OF 2	REV	D	