
UHF Female to UHF Female Bulkhead Adapter

CONN307



Overview:

The CONN307 is an in-series, Straight, UHF Female to UHF Female Bulkhead adapter. This connector will allow for connecting to cables or antennas using male UHF cables or connectors.

Applications:

- Connecting RF signal paths to RF Shielded Test Enclosure or Screen Rooms.
- Connecting two UHF male cables.

Features:

- Frequency Range DC to 2.5GHz.
- Gold Plated Brass Construction.
- Panel Mount or Inline.
- Wide Temperature Range.



Specifications:

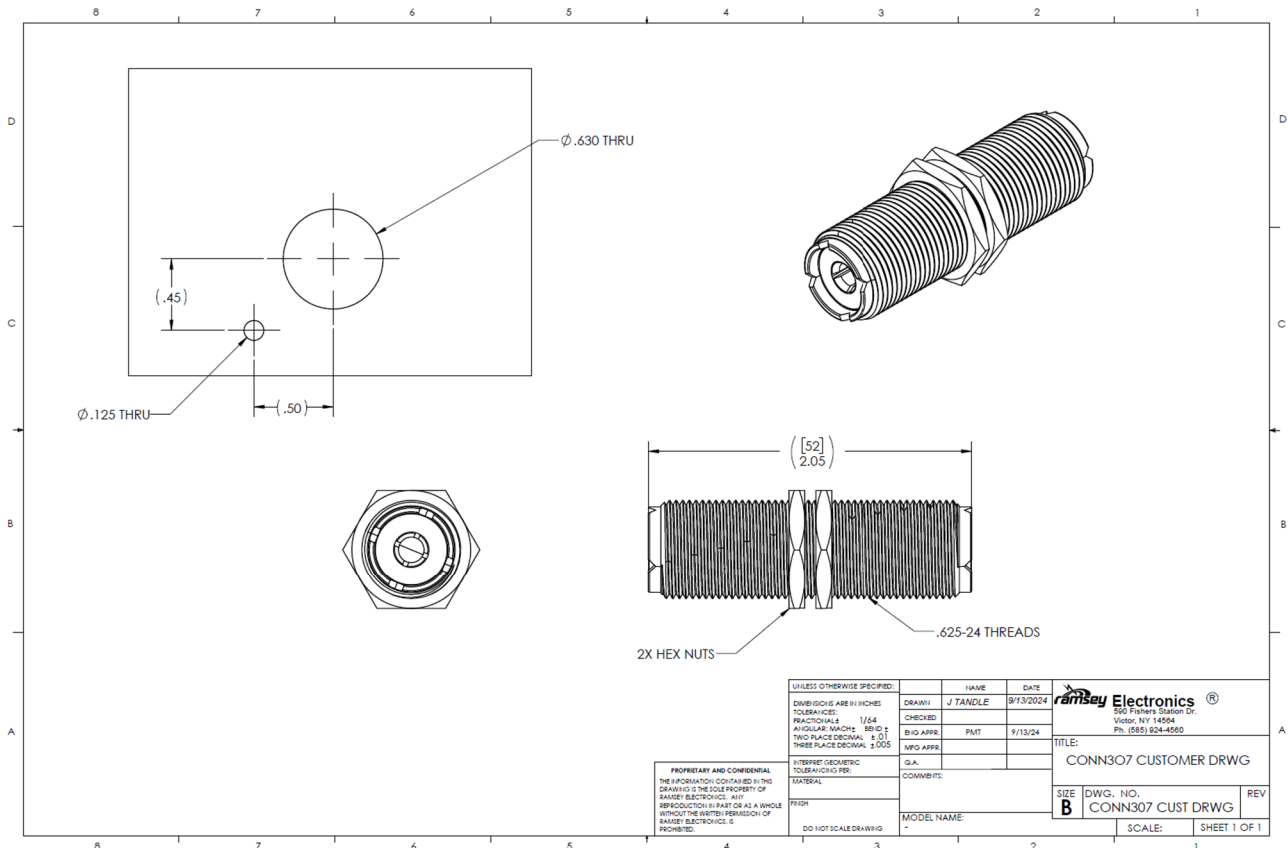
Electrical:

Impedance: 50 Ω.
 Frequency Range: DC - 2.5GHz.
 Voltage Rating: 500VRMS.
 Dielectric Withstanding Voltage: 1500VRMS.

Mechanical:

Operating Temperature: -40°F to 185°F (-40°C to +85°C).
 Pin Contact: Gold Plated Brass.
 Body: Nickel Plated Brass.
 Hex Nut: Nickel Plated Brass.
 Insulator: PTFE.
 Mounting: Panel Mount, Bulkhead, In-line.

Max Panel Thickness: 1.0 Inches (25.4mm).
 Mounting Threads: 5/8-24 UNEF-2A.
 Connector Torque: 8 lbf-in (.90)
 Mounting Nut Torque: 40 lbf-in. (4.5 N-m)



UNLESS OTHERWISE SPECIFIED:		NAME	DATE	 Ramsey Electronics® 590 Fishers Station Dr. Victor, NY 14564 Ph. (585) 924-4560
DIMENSIONS ARE IN INCHES	DRAWN	J TANDLE	9/13/2024	
TOLERANCES:	CHECKED			
FRAC TIONALS 1/64	BIO APPR	PMT	9/13/24	
ANGULAR MATCH: 8:10	MFG APPR			TITLE:
TWO PLACE DECIMAL: 0.01				CONN307 CUSTOMER DRWG
THREE PLACE DECIMAL: 0.005				SIZE
				B
				DWG. NO.
				CONN307 CUST DRWG
				REV
				SCALE:
				1
				SHEET 1 OF 1

The information in this datasheet, although believed to be accurate, is not to be taken as warranty for which Ramsey Electronics assumes legal responsibility. Ramsey Electronics reserves the right to make changes, corrections, and improvements to its products and/or this document at anytime without notice.