

---

## ST Multimode Fiber Bulkhead Connector

### CONN374



#### Overview:

The CONN374 is an ST-ST female simplex multimode fiber bulkhead connector.

#### Applications:

- Multimode operation.
- High RF environments.
- Measurement equipment.
- Feedthrough for RF Shield Test Enclosures or Screen Rooms.

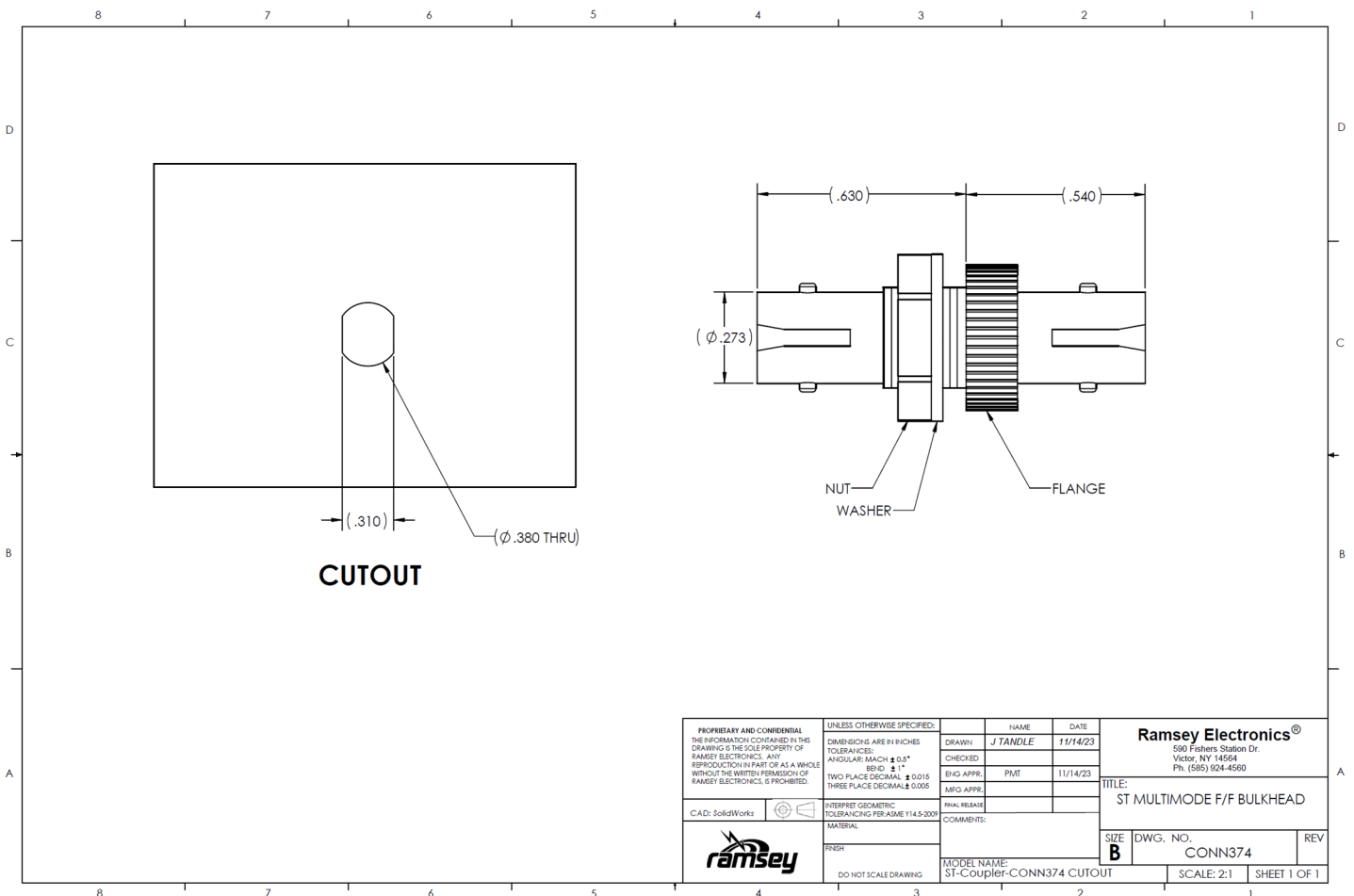
#### Features:

- Metal Body.
- Bronze Alignment Sleeve for better durability.
- Panel Mount.
- Wide operating temperature.



**Specifications:**

Operating Temperature:	-40°F to 176°F (-40°C to 80°C).
Connector:	Nickel Plated.
Mounting:	Panel Mount, Bulkhead.
Max Panel Thickness:	0.140" (2.6mm).
Mounting Threads:	3/8-24 UNC-2A Thread.
Hex Nut:	Nickel Plated Brass.
	Flats: 0.300" (7.6mm).
Washer:	Nickel Plated.
	ID: 0.380" (9.65mm) OD: 0.490" (12.4mm).
Coupling Mechanism:	Bayonet Lugs on Female Connector.
Mating Cycles:	500



The information in this datasheet, although believed to be accurate, is not to be taken as warranty for which Ramsey Electronics assumes legal responsibility. Ramsey Electronics reserves the right to make changes, corrections, and improvements to its products