

75Ω BNC Male to F Female Adapter

CONN403



Overview:

The CONN403 is a Between-Series, 75Ω, Straight, BNC Male to Female adapter. The BNC type connector is a bayonet quick connect connector used to join coaxial cables or coaxial cables to antennas. The F connector is a threaded RF connector used to connect coaxial cables to devices. Normally F connectors are used to connect RF systems used in video applications.

Applications:

- Over the Air Television.
- Cable TV.
- CCTV cameras.
- RF Antenna Connections.

Features:

- Nickel Plated Brass Construction.
- Wide Temperature Range.
- Quick connect.
- Frequency Range DC to 2GHz.



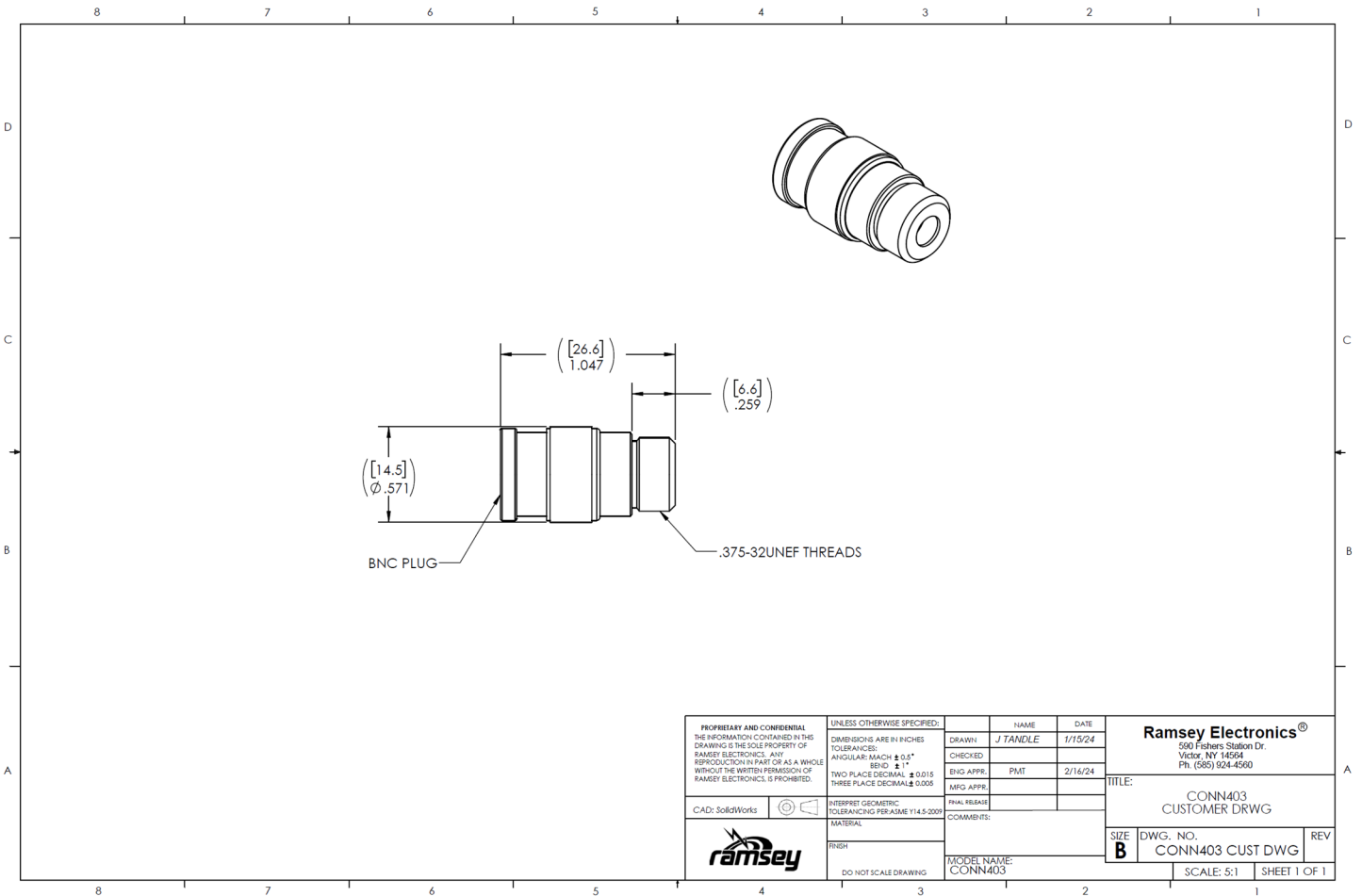
Specifications:

Electrical:

Impedance: 75 Ω.
 Frequency Range: DC - 2GHz.
 Voltage Rating: 400VRMS.
 Dielectric Withstanding Voltage: 1500VRMS.

Mechanical:

Operating Temperature: -85°F to 329°F (-65°C to +165°C).
 Body: Nickel plated brass.
 Center Pin: Beryllium Copper, Gold Plated.
 Insulator: PTFE.
 Threads: 3/8-32UNEF 2A.
 Durability: 500 Mating Cycles Minimum.



The information in this datasheet, although believed to be accurate, is not to be taken as warranty for which Ramsey Electronics assumes legal responsibility. Ramsey Electronics reserves the right to make changes, corrections, and improvements to its products and/or this document at anytime without notice.