



STEUSB-AS

Purpose of this Document

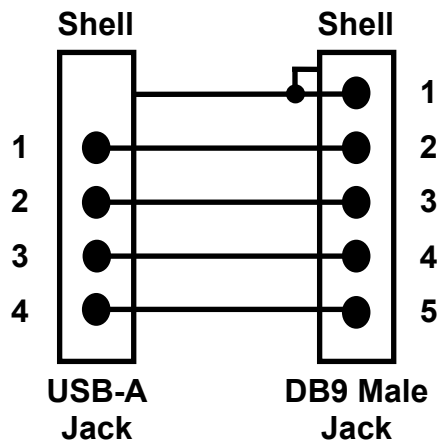
This document provides the parts and specifications of the STEUSB-AS Interface.

Individual parts

- 2 CONN357 USB-A to DB9 Male Interface
- 1 Requires additional CONN113 Gender Changer to be used.

Connector Pinouts

CONN357



Specifications

Shielding:	100% foil Shielded to shells
Wire Size:	28 AWG
Current Rating:	0.7 Amps Maximum
Housing Size:	1.95" (49.5mm) x 0.76" (19.2mm) x 0.59" (19.2mm)
Temperature Rating:	-10 to 70 degrees C



STEUSB-AS



CONN357
USB2.0 Type A
to DB9(M)