

## VGA (HD15) to DB15 Adapter Set

### STEVGA



#### Overview:

The STEVGA Adapter Set is a two piece adapter set used to convert a VGA (15 pins, three row, HD15) connector to a DB15 (15 pin, two row, DB15) connector and back again. The STEVGA adapters are primarily used in conjunction with a 100pF filtered DB15, CONN259, to RF filter and pass VGA signals through an RF Shielded Test Enclosure.

#### Applications:

- RF Shielded Test Enclosures or Screen Rooms.
- Low voltage DC.
- Low voltage AC.
- Low speed data.
- Switching Circuits.
- Audio Circuits.

#### Features:

- Adapts a two row D15 to a VGA connector.
- Gold plated brass pins.
- Steel plated nickel housing.
- Wide Temperature Range.

#### Adapter Configurations:

- Adapter 1: VGA(F) to DB15 (M).
- Adapter 2: VGA(M) to DB15 (F).



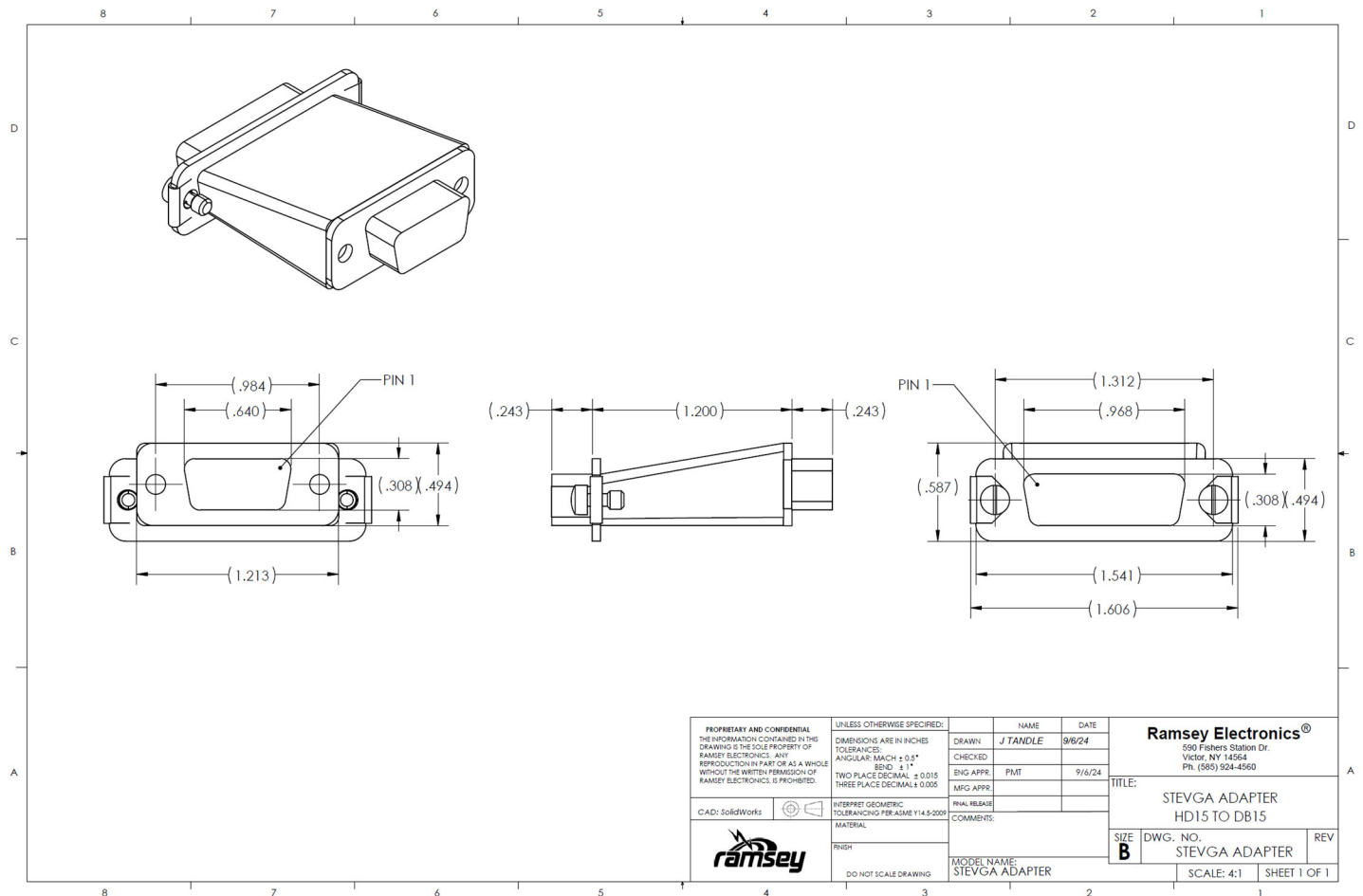
**Specifications:**

**ELECTRICAL:**

Working Voltage: 50VRMS.  
 Current: 1 Amp Maximum.

**Mechanical:**

Number of Terminals: 15.  
 Operating Temperature: -40°F (-40°C) to 221°F (+105°C).  
 Overall Length: 1.686" (42.8mm).  
 Overall Width: 1.606" (40.8mm).  
 Overall Height: .587" (14.9mm).  
 Connector Body Material: Steel.  
 Connector Body Plating: Tin over Nickel.  
 Connector Pin Material: Brass.  
 Connector Pin Plating: Gold Flash.  
 Connector Insulator: Glass-Filed Thermoplastic PBT, UL94-0 Rated.



The information in this datasheet, although believed to be accurate, is not to be taken as warranty for which Ramsey Electronics assumes legal responsibility. Ramsey Electronics reserves the right to make changes, corrections, and improvements to its products and/or this document at anytime without notice.