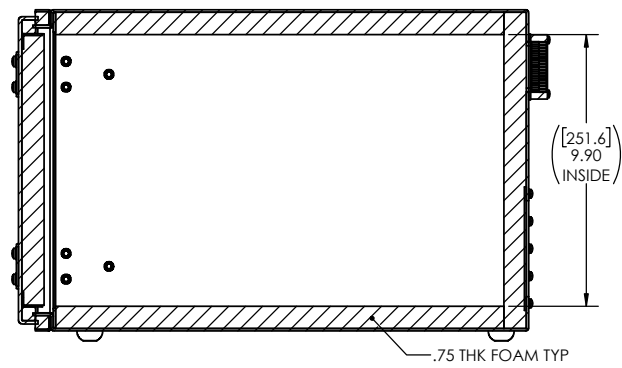
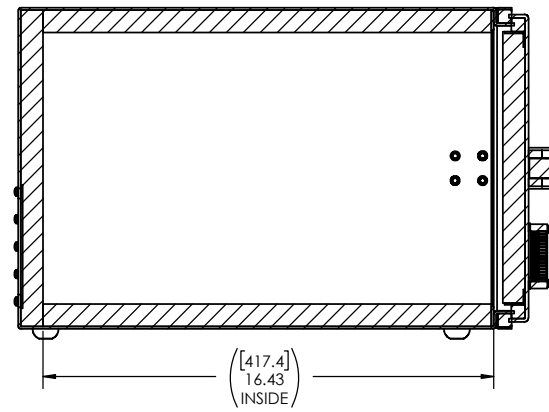


DETAIL E

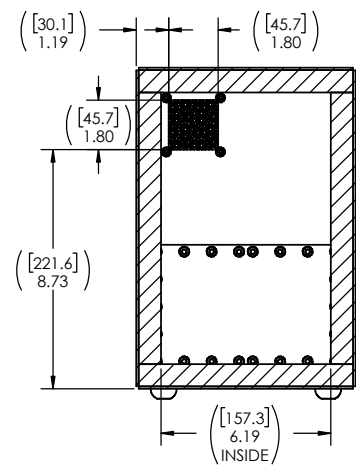
PROPRIETARY AND CONFIDENTIAL THE INFORMATION CONTAINED IN THIS DRAWING IS THE SOLE PROPERTY OF RAMSEY ELECTRONICS. ANY REPRODUCTION IN PART OR AS A WHOLE WITHOUT THE WRITTEN PERMISSION OF RAMSEY ELECTRONICS IS PROHIBITED.	DIMENSIONS ARE IN INCHES TOLERANCES: FRACTIONAL ± 1/64 ANGULAR ± 30° ± 0.01 TWO PLACE DECIMAL ± .01 THREE PLACE DECIMAL ± .005	NAME J TANDLE	DATE 6/10/24	Ramsey Electronics® 590 Fishers Station Dr. Victor, NY 14564 Ph. (585) 924-4560
	INTERPRET GEOMETRIC TOLERANCING PER ASME Y14.5-2009	CHECKED PMT	DATE 6/10/24	
	FINISH DO NOT SCALE DRAWING	ENG APPR. PMT	TITLE: STE2905M CUSTOMER DIMENSIONAL DRWG	
	MATERIAL:	COMMENTS:	SIZE D	
MODEL NAME: STE2905M CUSTOMER DIMENSIONAL DRWG			DWG. NO. STE2905M CUSTOMER DIMENSIONAL DRWG	REV DIMENSIONAL DRWG
			SCALE: 1:8	SHEET 1 OF 2



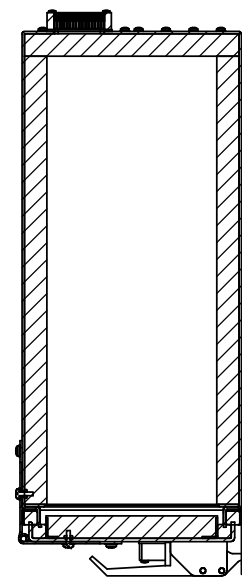
SECTION D-D



SECTION C-C



SECTION B-B



SECTION A-A

PROPRIETARY AND CONFIDENTIAL THE INFORMATION CONTAINED IN THIS DRAWING IS THE SOLE PROPERTY OF RAMSEY ELECTRONICS. ANY REPRODUCTION IN PART OR AS A WHOLE WITHOUT THE WRITTEN PERMISSION OF RAMSEY ELECTRONICS IS PROHIBITED.	DIMENSIONS ARE IN INCHES TOLERANCES: FRACTIONAL ± 1/64 ANGULAR ± .005 TWO PLACE DECIMAL ± .01 THREE PLACE DECIMAL ± .005	NAME J TANDLE	DATE 6/10/24	Ramsey Electronics® 590 Fishers Station Dr. Victor, NY 14564 Ph. (585) 924-4560
	FINISH DO NOT SCALE DRAWING	INTERPRET GEOMETRIC TOLERANCING PER ASME Y14.5-2009 MATERIAL:	CHECKED ENG APPR. FINAL RELEASE COMMENTS:	
	MODEL NAME: STE2905M CUSTOMER DIMENSIONAL DRWG	DWG. NO. STE2905M CUSTOMER DIMENSIONAL DRWG	REV DIMENSIONAL DRWG	SCALE: 1:8 SHEET 2 OF 2