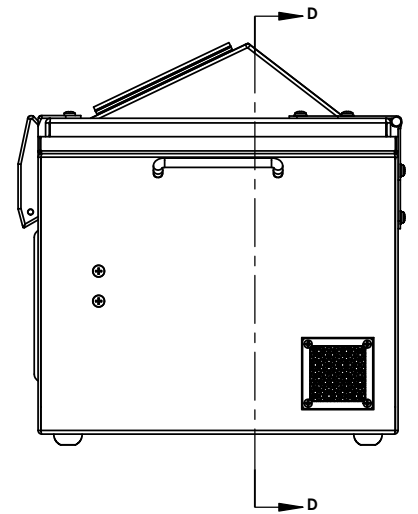
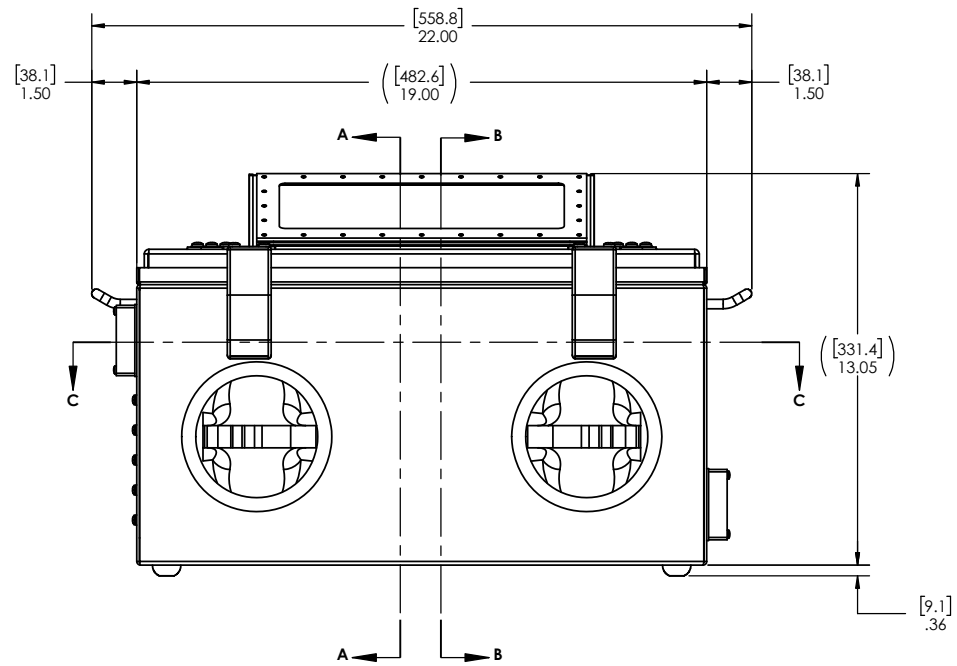
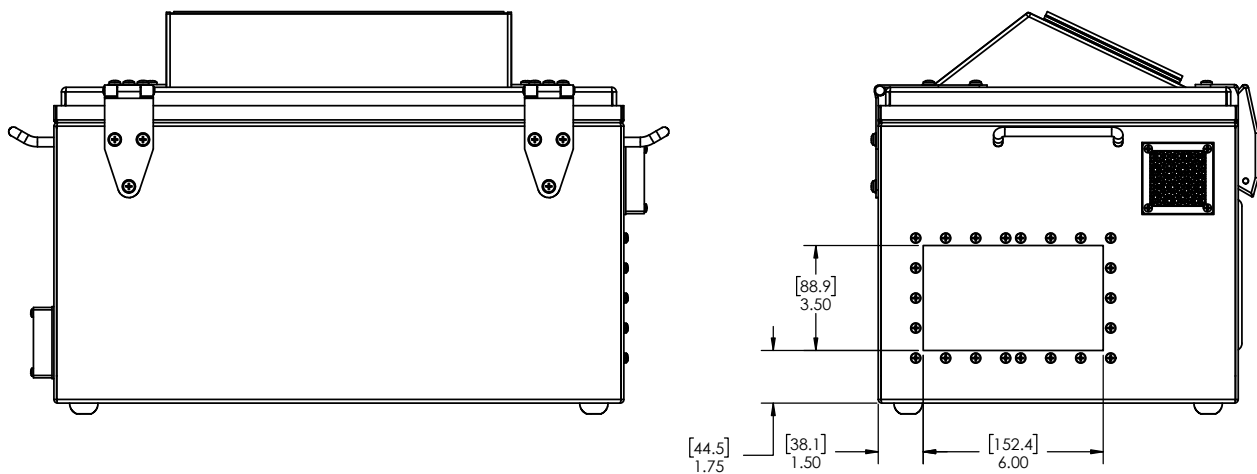
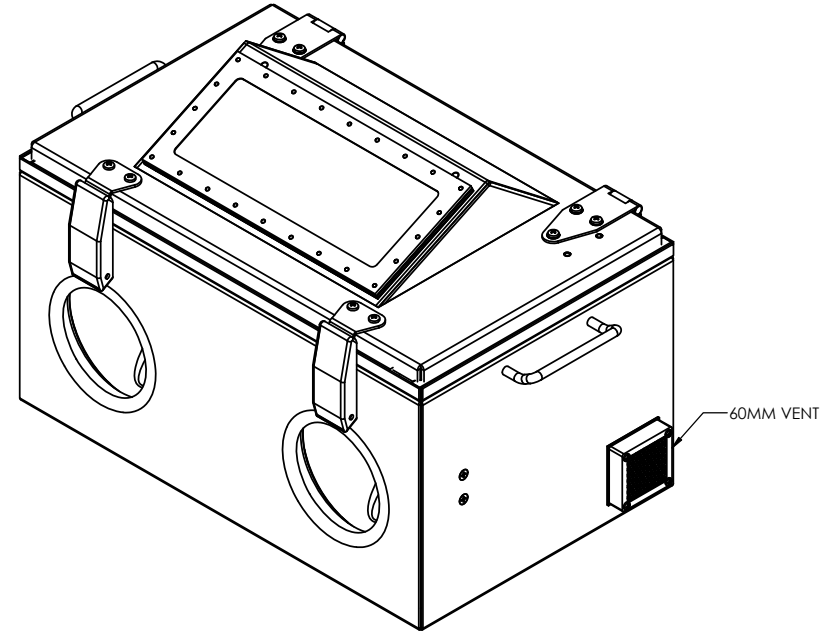
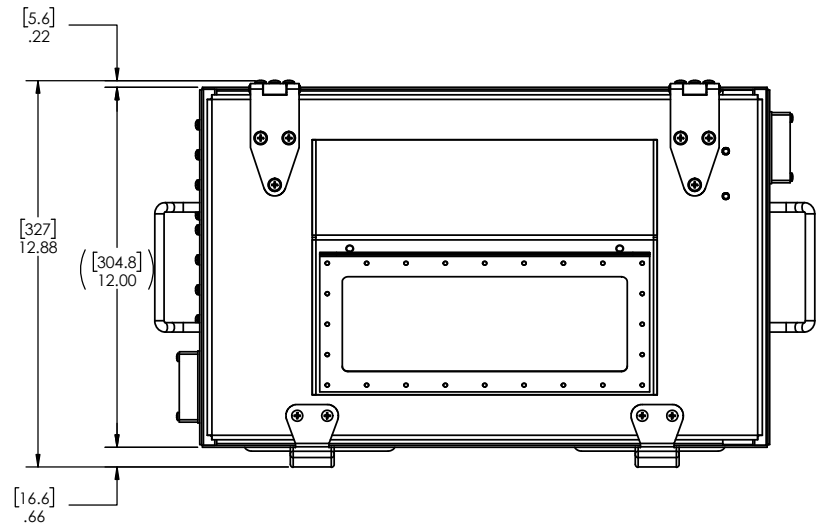
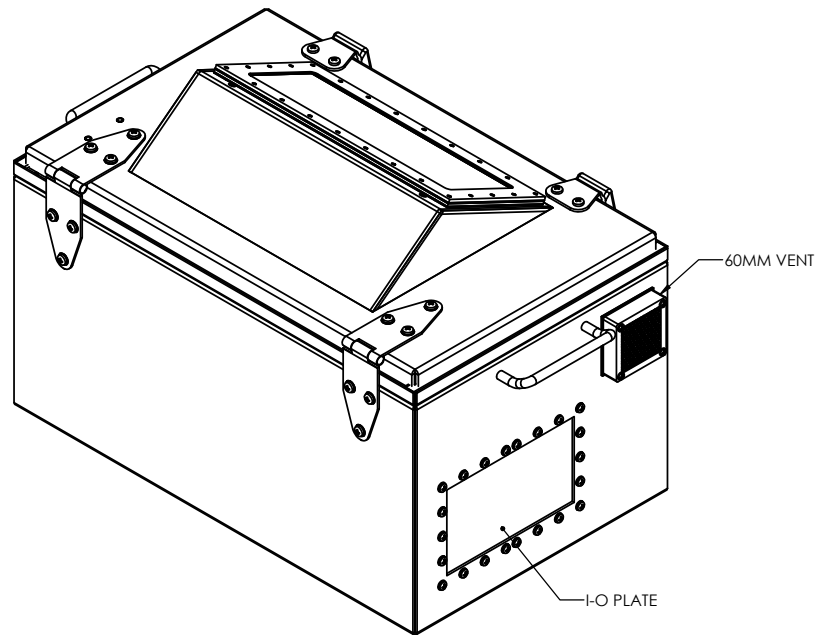


REVISIONS			
REV.	DESCRIPTION	DATE	DRAWN BY
A	HINGES AND STRUT MOUNTING MOVED	12/11/2023	T. COAKLEY
B	UPDATED OVERALL DIMENSIONS	1/26/2024	J. TANDLE



Ramsey Electronics
590 Fishers Station Dr.
Victor, NY 14564
Ph: (585) 924-4560
www.ramseytest.com

UNLESS OTHERWISE SPECIFIED:
DIMENSIONS ARE IN INCHES
TOLERANCES:
ANGULAR: MATCH #0.5° BEND ±1°
TWO PLACE DECIMAL ±.015
THREE PLACE DECIMAL ±.005

INTERPRET GEOMETRIC TOLERANCING PER ASME Y14.5-2009

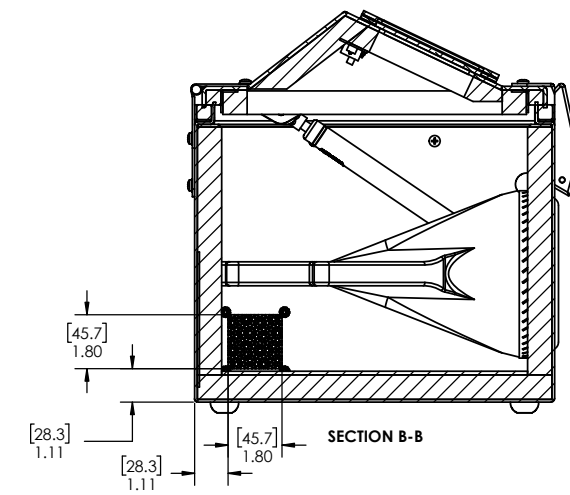
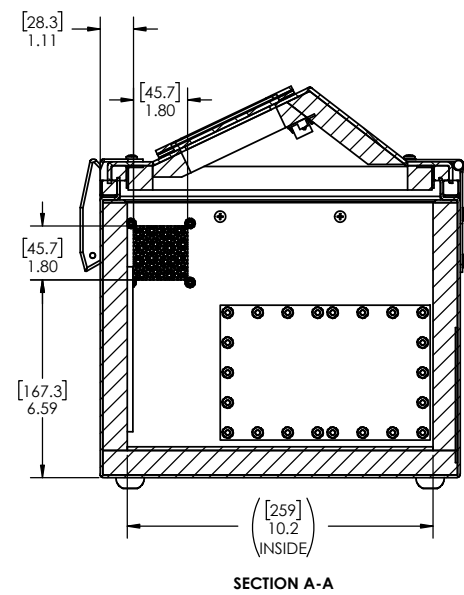
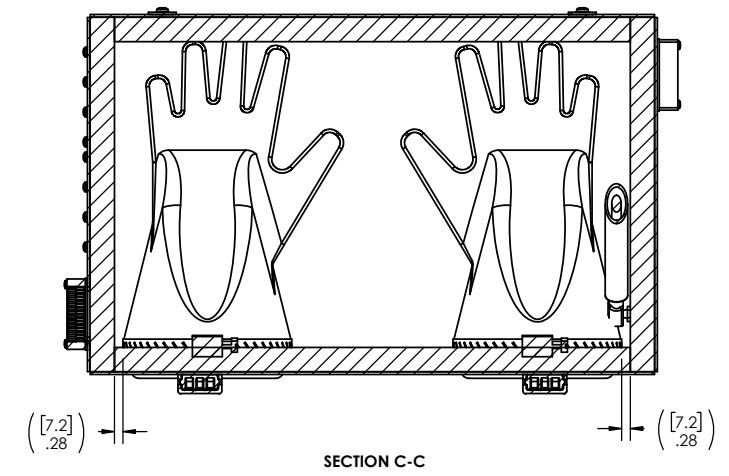
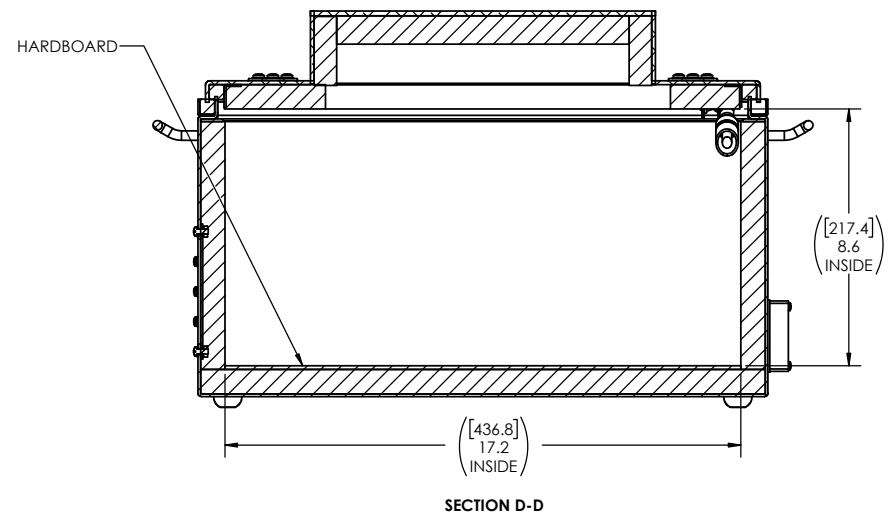
MATERIAL: SEE NOTE 1
FINISH: SEE NOTE 4 & 4
DO NOT SCALE DRAWING

NAME	DATE
DRAWN: T. COAKLEY	09/27/23
CHECKED: JRT	10/24/23
ENG APPR: PMT	10/24/23
MFG APPR:	
TRIAL RELEASE: RGD	10/27/23

PROPRIETARY AND CONFIDENTIAL
THE INFORMATION CONTAINED IN THIS DRAWING IS THE SOLE PROPERTY OF RAMSEY ELECTRONICS. ANY REPRODUCTION IN PART OR AS A WHOLE WITHOUT THE WRITTEN PERMISSION OF RAMSEY ELECTRONICS IS PROHIBITED.

TITLE: STE3000M TL-ASSY CUSTOMER DIMENSIONS
DWG. NO.: STE3000M CUSTOMER DIMENSIONAL DRWG
MODEL NAME: STE3000M CUSTOMER DRWG

SIZE: D	SCALE: 1:5	SHEET 1 OF 2	REV: B
---------	------------	--------------	--------



<p>Ramsey Electronics® 590 Fishers Station Dr. Victor, NY 14564 Ph. (585) 924-4560 www.ramseytest.com</p>	<p>UNLESS OTHERWISE SPECIFIED: DIMENSIONS ARE IN INCHES TOLERANCES: ANGULAR: MACH #0.5° BEND ±1° TWO PLACE DECIMAL ±0.015 THREE PLACE DECIMAL ±0.005</p>	<table border="1"> <tr> <th>NAME</th> <th>DATE</th> </tr> <tr> <td>DRAWN T.COAKLEY</td> <td>09/27/23</td> </tr> <tr> <td>CHECKED</td> <td></td> </tr> <tr> <td>ENG APPR.</td> <td></td> </tr> <tr> <td>MFG APPR.</td> <td></td> </tr> <tr> <td>TRIAL RELEASE</td> <td></td> </tr> </table>	NAME	DATE	DRAWN T.COAKLEY	09/27/23	CHECKED		ENG APPR.		MFG APPR.		TRIAL RELEASE		<p>TITLE: STE3000M ASSY DRWG</p>
	NAME	DATE													
	DRAWN T.COAKLEY	09/27/23													
	CHECKED														
ENG APPR.															
MFG APPR.															
TRIAL RELEASE															
<p>INTERPRET GEOMETRIC CLEARANCING PER ASME Y14.5-2009</p>	<p>PROPERTY AND CONFIDENTIAL THE INFORMATION CONTAINED IN THIS DRAWING IS THE SOLE PROPERTY OF RAMSEY ELECTRONICS. ANY REPRODUCTION IN PART OR AS A WHOLE WITHOUT THE WRITTEN PERMISSION OF RAMSEY ELECTRONICS IS PROHIBITED.</p>	<p>DWG. NO. STE3000M ASSY DRWG</p>	<p>MODEL NAME: STE3000M CUSTOMER DRWG</p>												
<p>MATERIAL: SEE NOTE 1</p>	<p>FINISH: SEE NOTE 4 & 4</p>	<p>SIZE D</p>	<p>SCALE: 1:5</p>												
<p>DO NOT SCALE DRAWING</p>	<p>DO NOT SCALE DRAWING</p>	<p>SHEET 2 OF 2</p>	<p>REV B</p>												