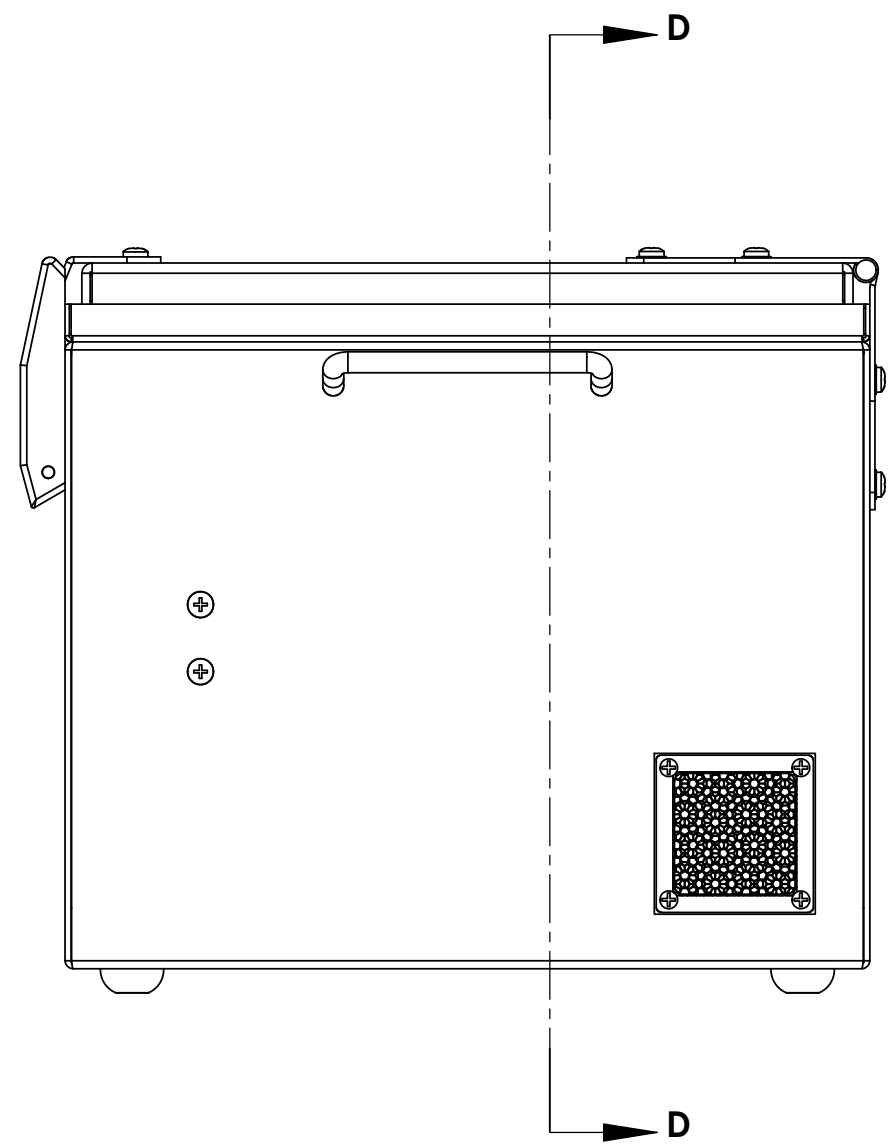
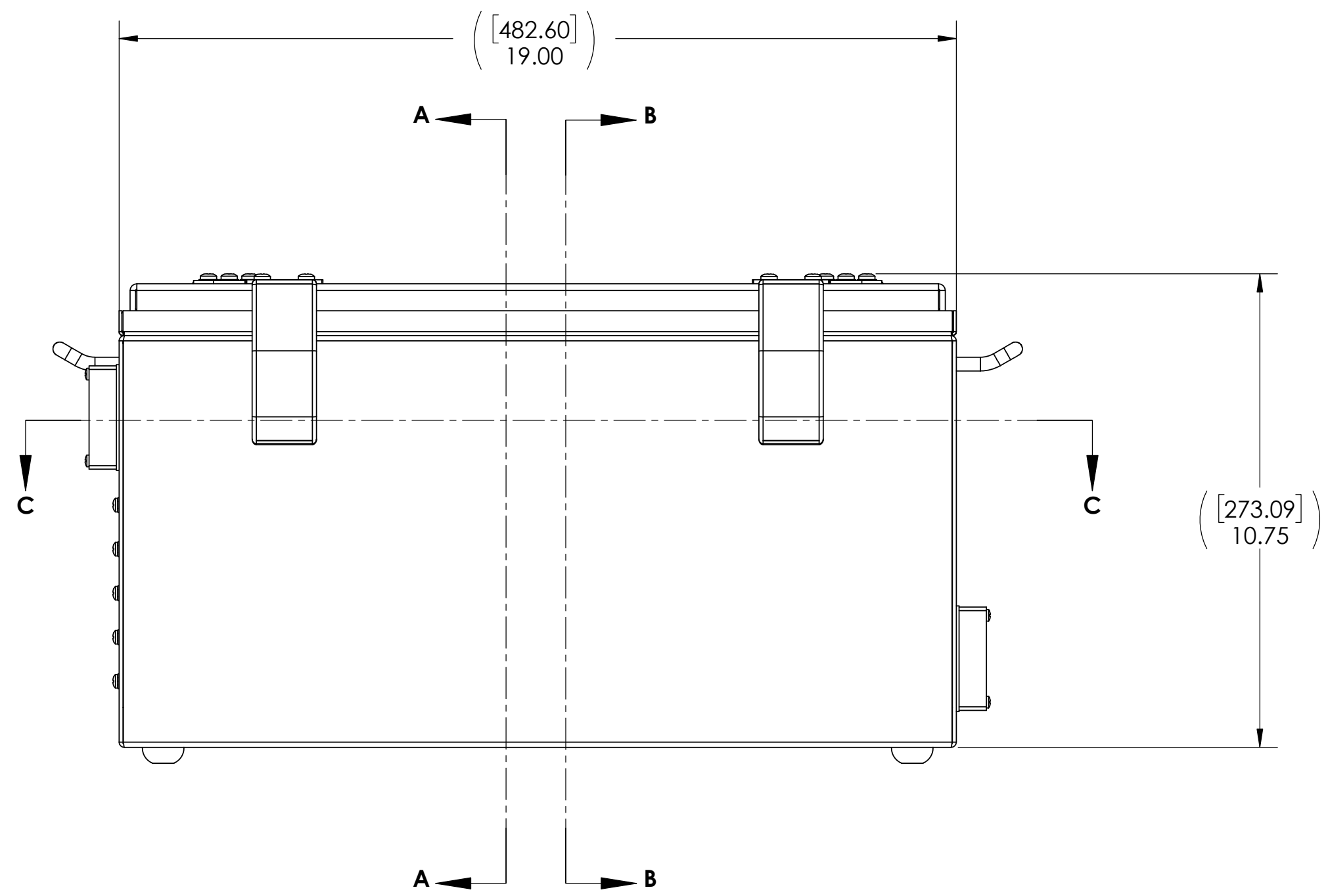
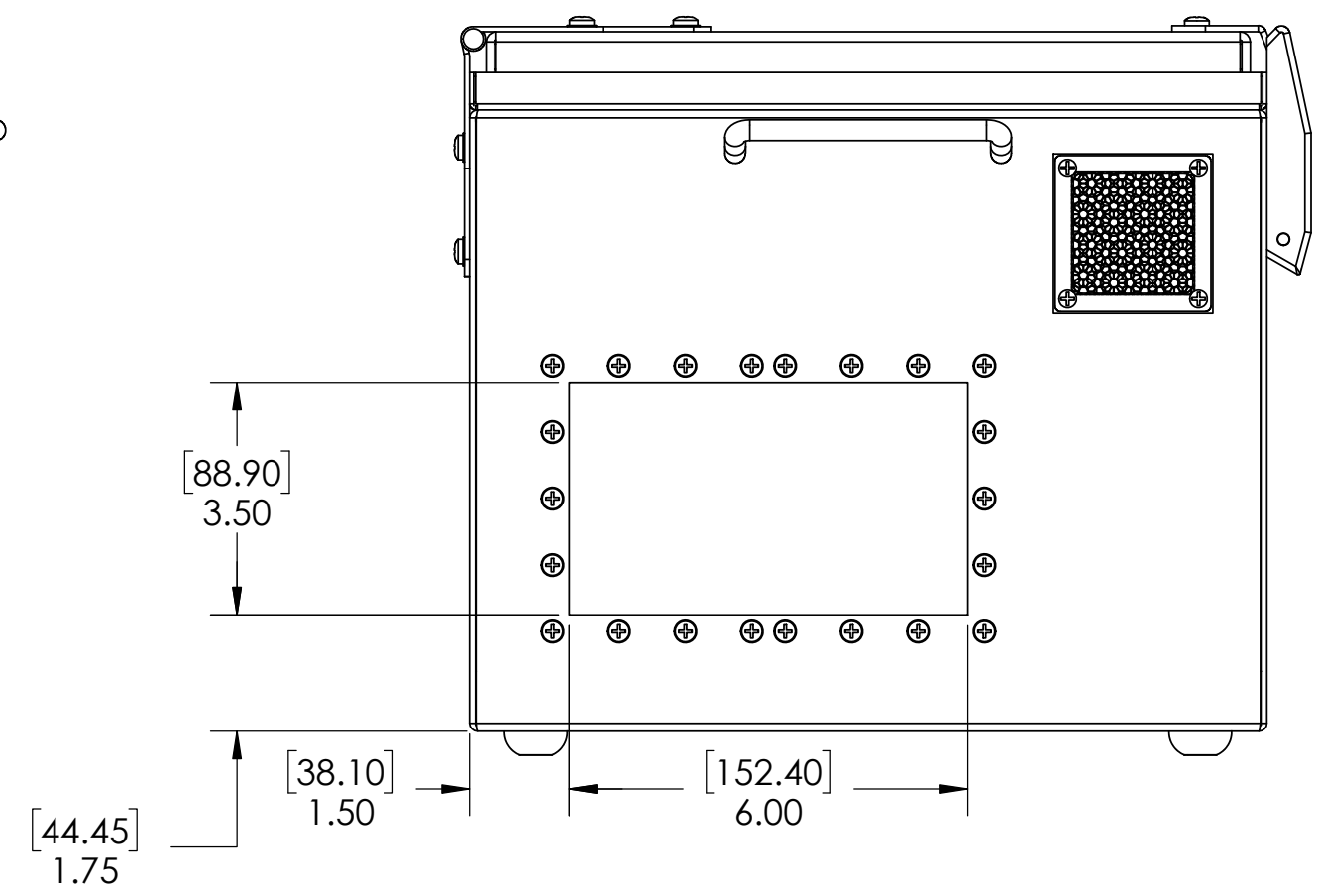
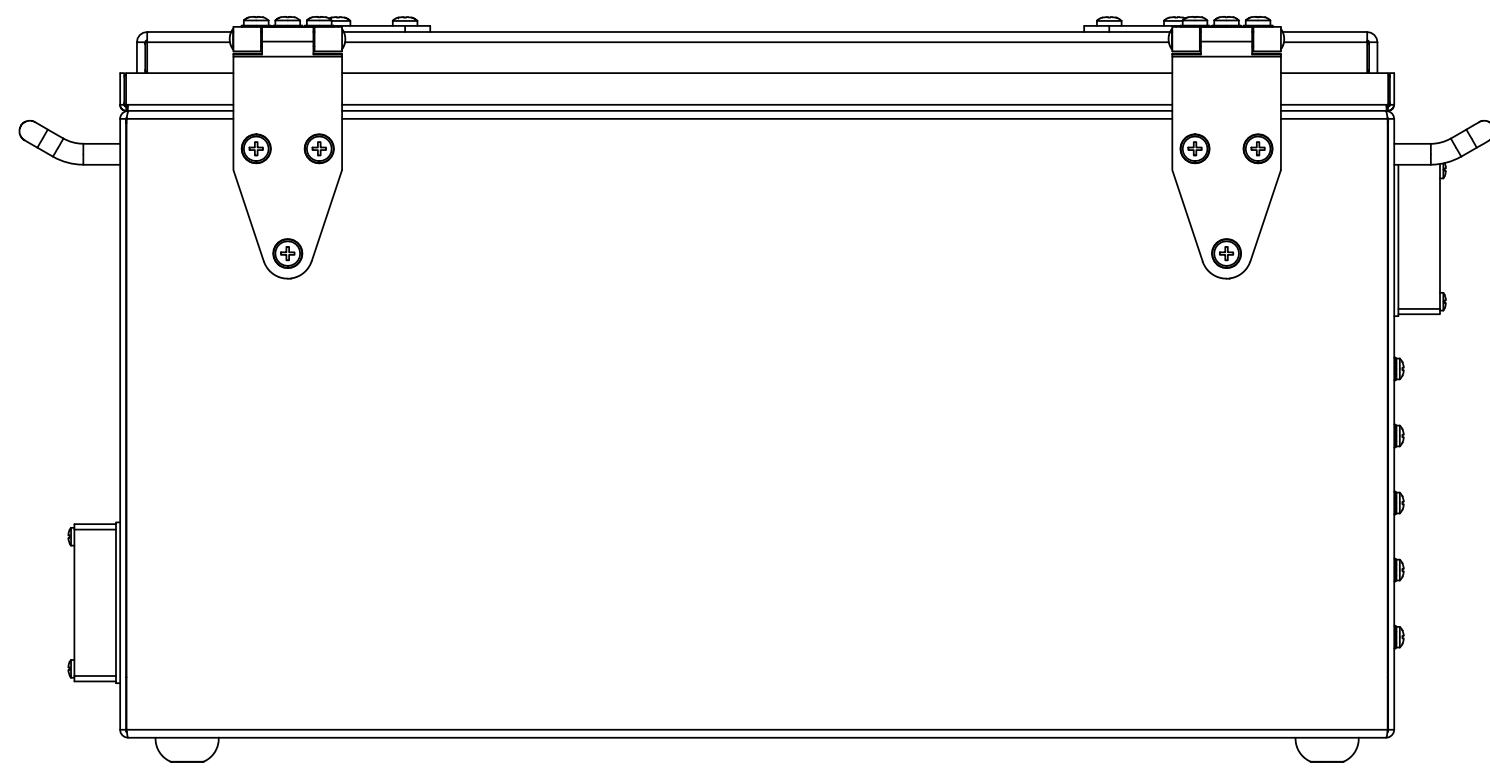
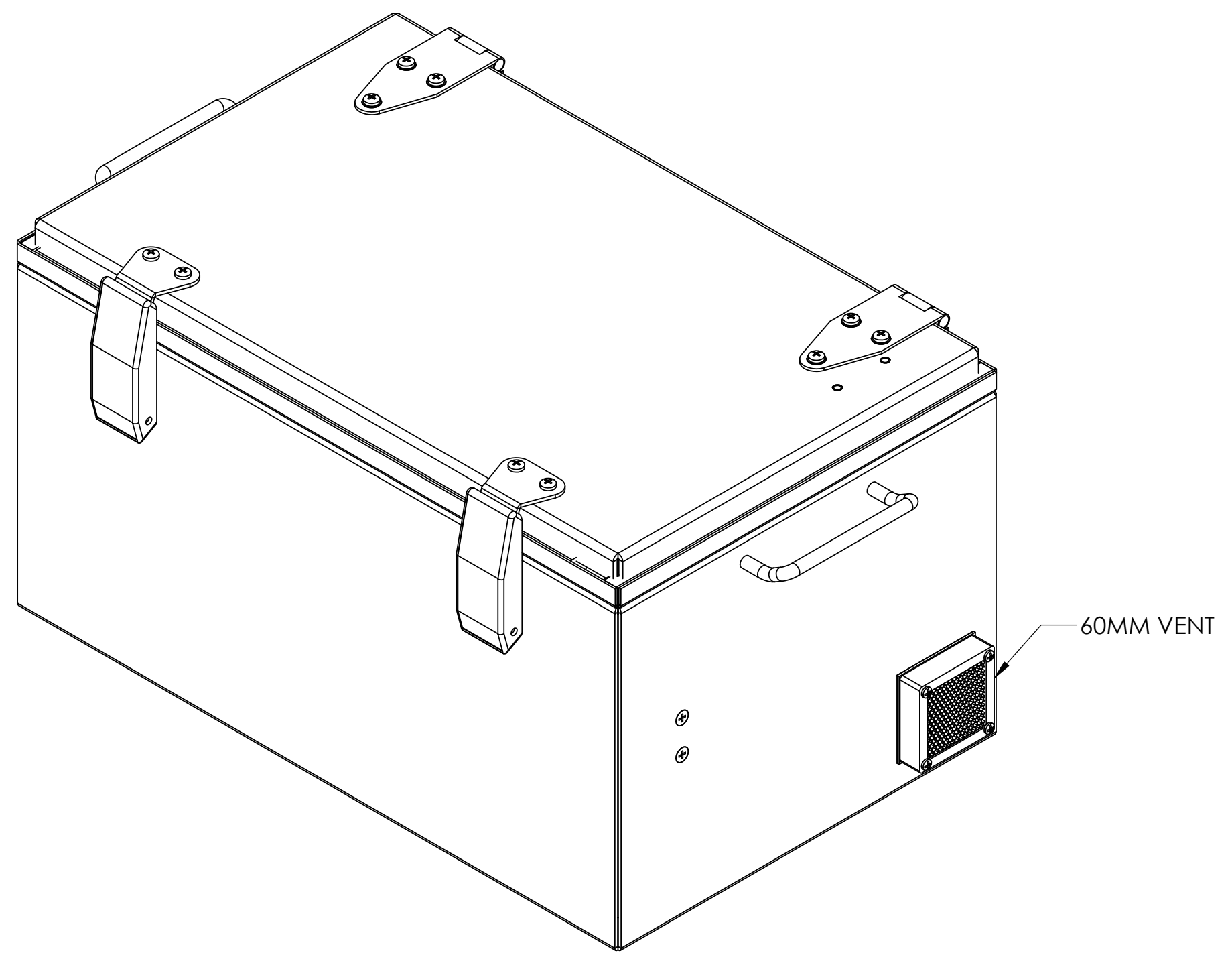
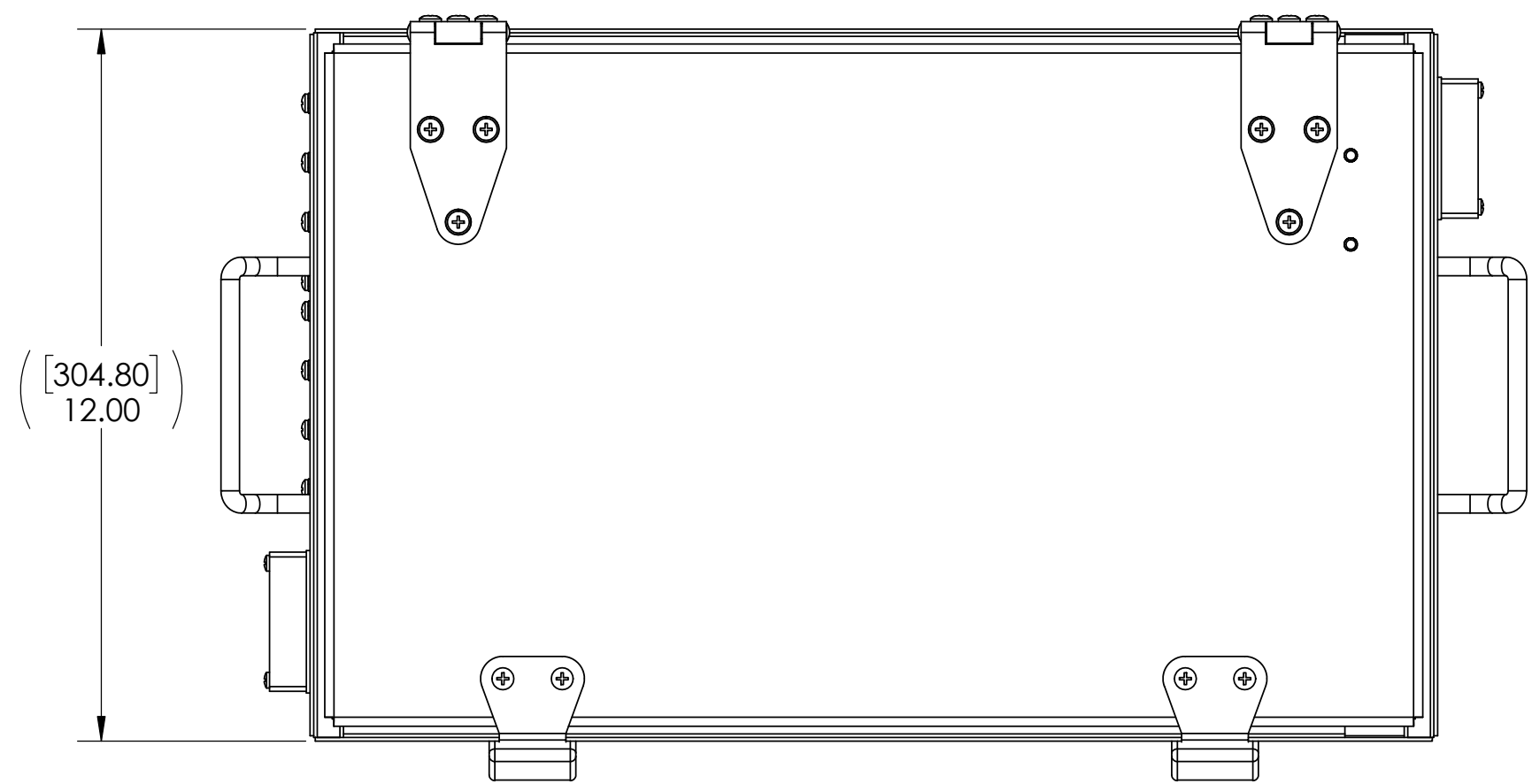
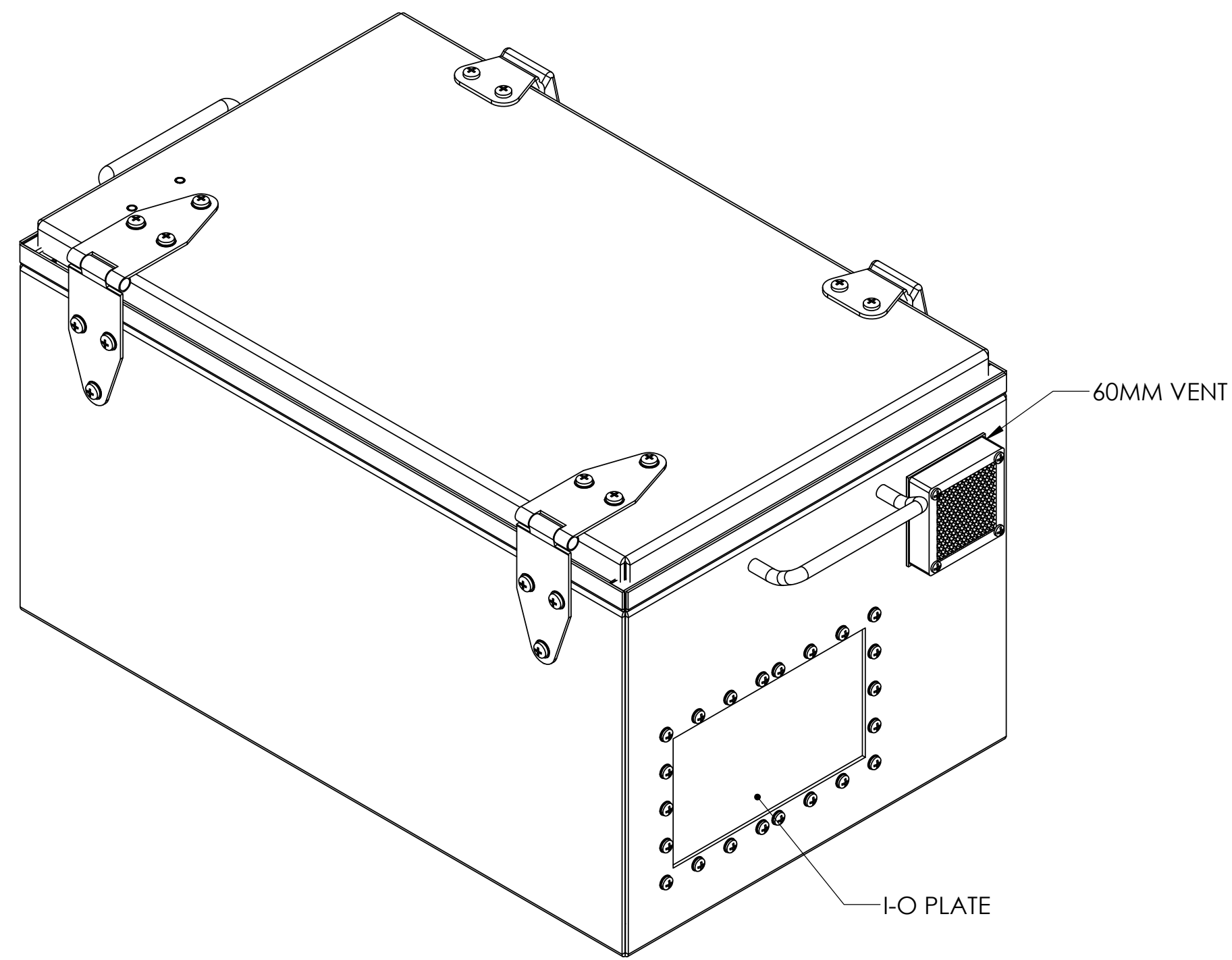
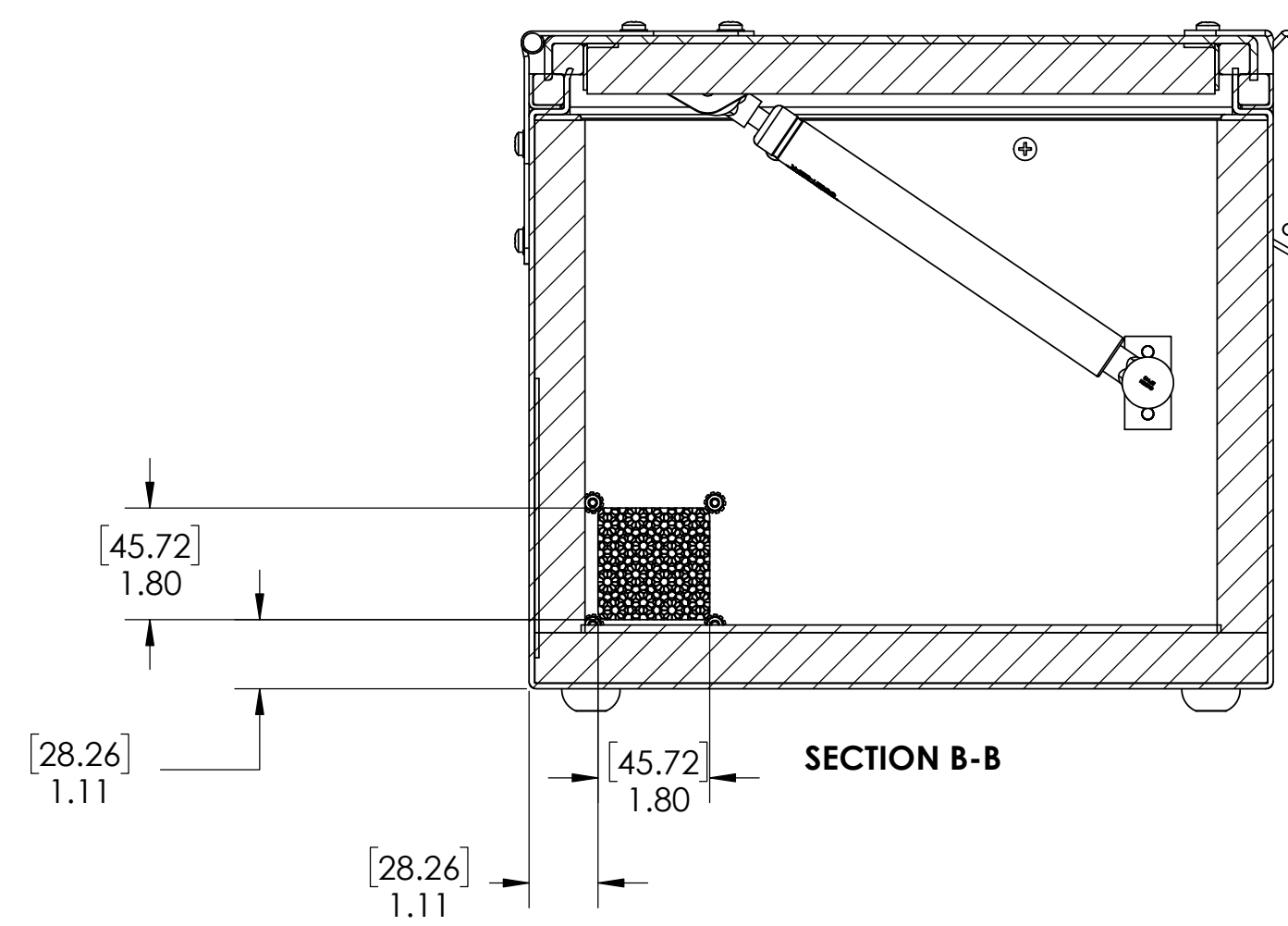
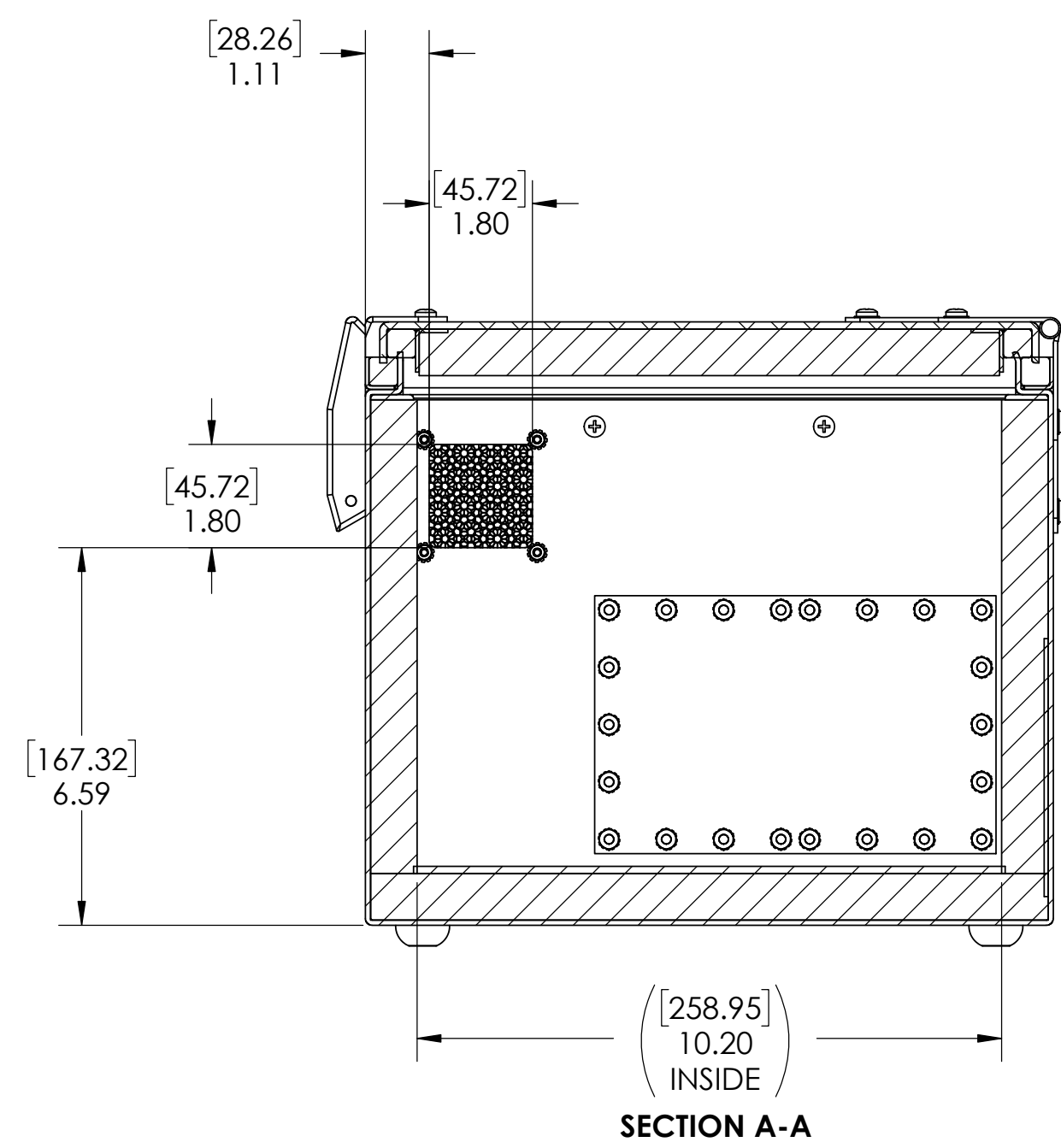
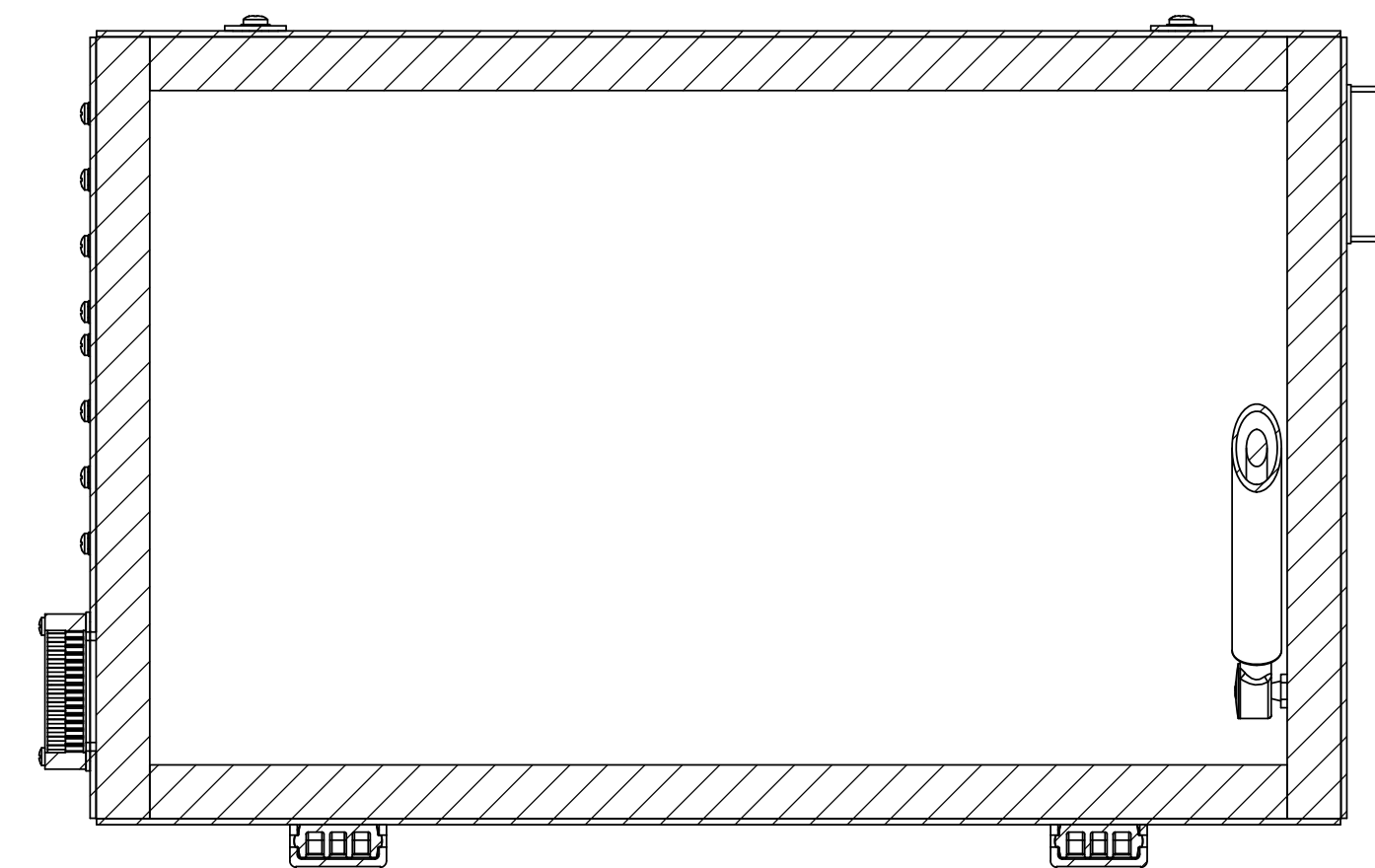
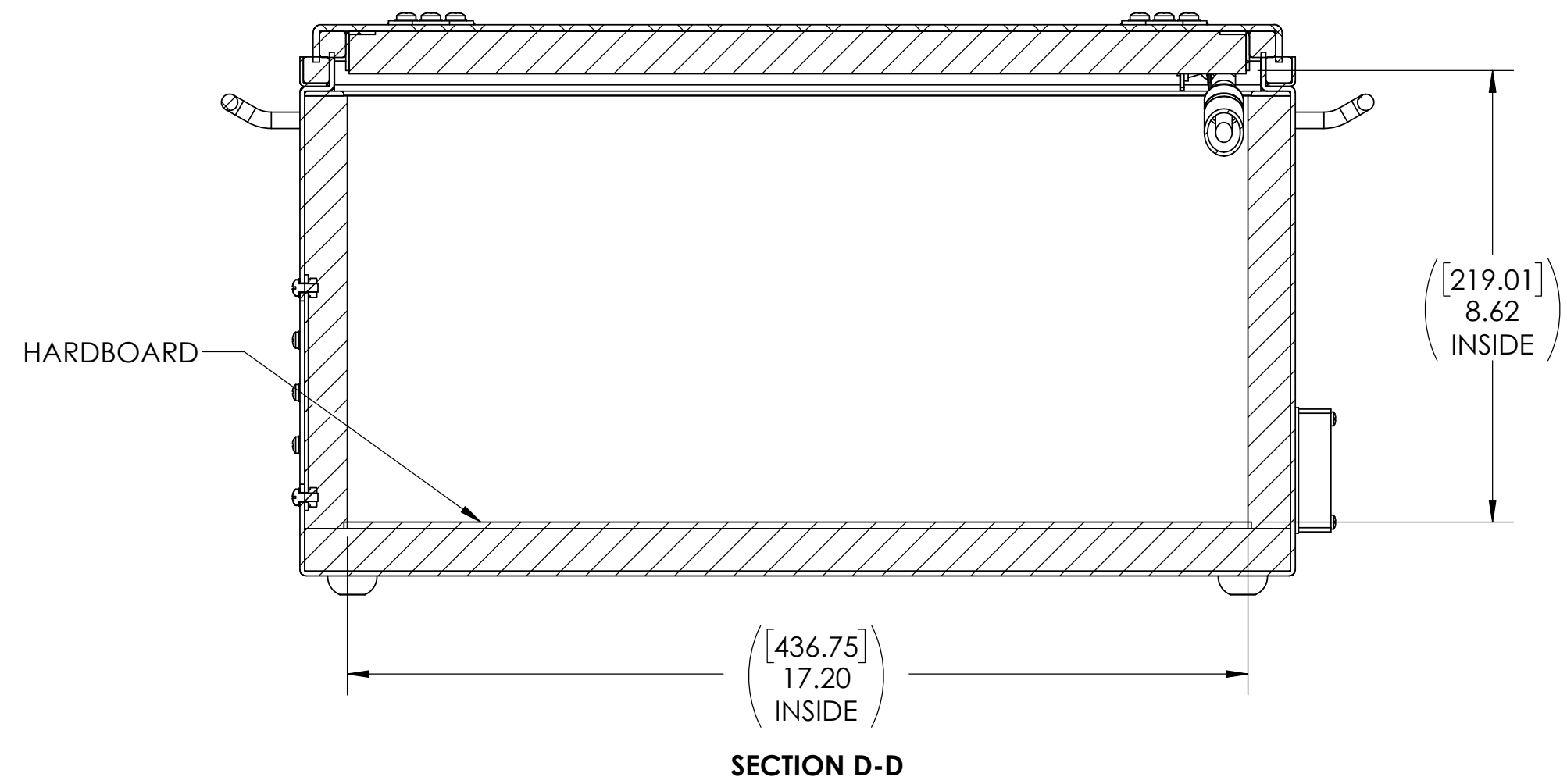



REVISIONS			
REV.	DESCRIPTION	DATE	APPROVED
A	HINGES AND STRUT MOUNTING MOVED	12/11/2023	T. COAKLEY
B	FOAM THICKNESS UPDATED	12/15/2023	T. COAKLEY



<p>Ramsey Electronics® 590 Fishers Station Dr. Victor, NY 14564 Ph. [585] 924-4560 www.ramseytest.com</p>	UNLESS OTHERWISE SPECIFIED: DIMENSIONS ARE IN INCHES TOLERANCES: ANGULAR: MATCH ±0.5° BEND ±1° TWO PLACE DECIMAL ±.015 THREE PLACE DECIMAL ±.005	NAME T. COAKLEY	DATE 11/01/23	TITLE: STE3305M TL-ASSY CUSTOMER DIMENSIONS
	INTERPRET GEOMETRIC TOLERANCING PER ASME Y14.5-2009	CHECKED		DWG. NO. STE3305M CUSTOMER DIMENSIONAL DRWG
	MATERIAL SEE NOTE 1	ENG APPR. PMT		11/07/23
	FINISH SEE NOTE 4 & 6	DATE APPR. DW		11/09/23
DO NOT SCALE DRAWING	PROPRIETARY AND CONFIDENTIAL THE INFORMATION CONTAINED IN THIS DRAWING IS THE SOLE PROPERTY OF RAMSEY ELECTRONICS, ANY REPRODUCTION IN PART OR AS A WHOLE WITHOUT THE WRITTEN PERMISSION OF RAMSEY ELECTRONICS IS PROHIBITED.	MODEL NAME: STE3305M CUSTOMER DRWG		SIZE D
SCALE: 1:5			SHEET 1 OF 2	REV B



 Ramsey Electronics® 590 Fishers Station Dr. Victor, NY 14564 Ph. (585) 924-4560 www.ramseytest.com	UNLESS OTHERWISE SPECIFIED:	NAME	DATE	TITLE:	
	DIMENSIONS ARE IN INCHES	DRAWN	T.COAKLEY	11/01/23	STE3305M
	TOLERANCES:	CHECKED			ASSY DRWG
	ANGULAR: MATCH ±0.5° BEND ±1°	ENG APPR			DWG. NO.
TWO PLACE DECIMAL ±.015	ENG APPR			STE3305M ASSY	
THREE PLACE DECIMAL ±.005	ENG APPR			DRWG	
INTERPRET GEOMETRIC TOLERANCING PER ASME Y14.5-2009	FINAL RELEASE			MODEL NAME:	
MATERIAL	PROPRIETARY AND CONFIDENTIAL			STE3305M CUSTOMER DRWG	
SEE NOTE 1	THE INFORMATION CONTAINED IN THIS DRAWING IS THE SOLE PROPERTY OF RAMSEY ELECTRONICS. ANY REPRODUCTION IN PART OR AS A WHOLE WITHOUT THE WRITTEN PERMISSION OF RAMSEY ELECTRONICS IS PROHIBITED.			SIZE	
FINISH				D	
SEE NOTE 4 & 6				SCALE: 1:5	
DO NOT SCALE DRAWING				SHEET 2 OF 2	
				REV	
				B	