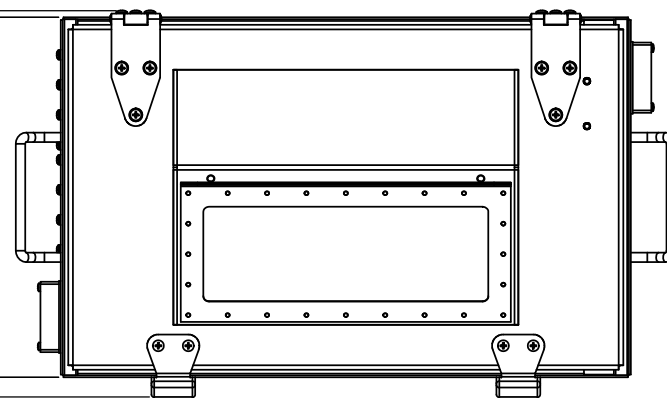


60MM HONEYCOMB VENT

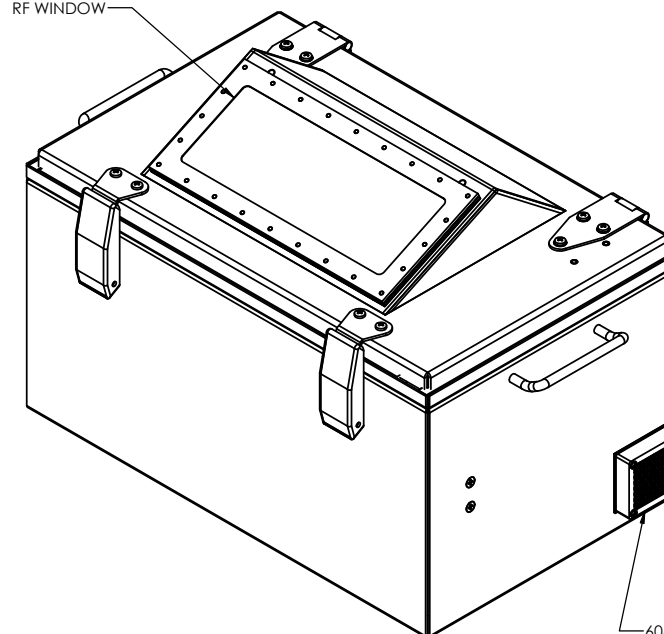
([5.6]
.22)

([304.8]
12.00)

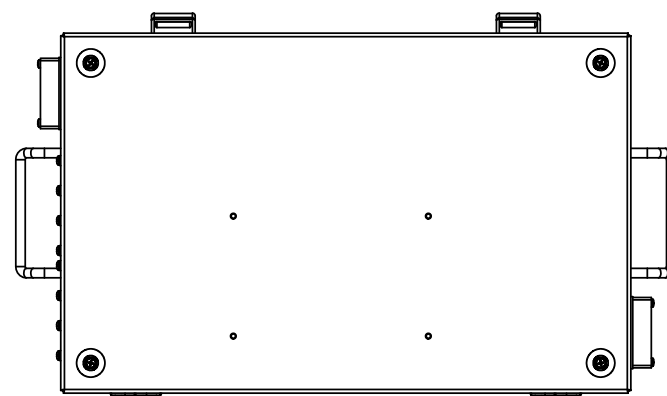
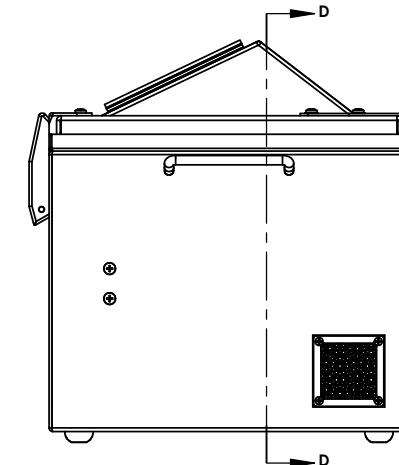
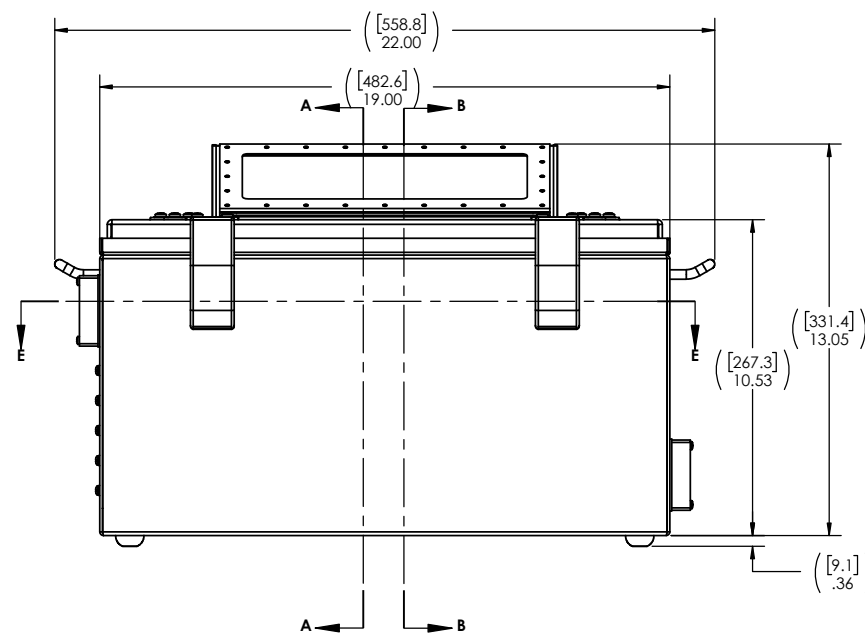
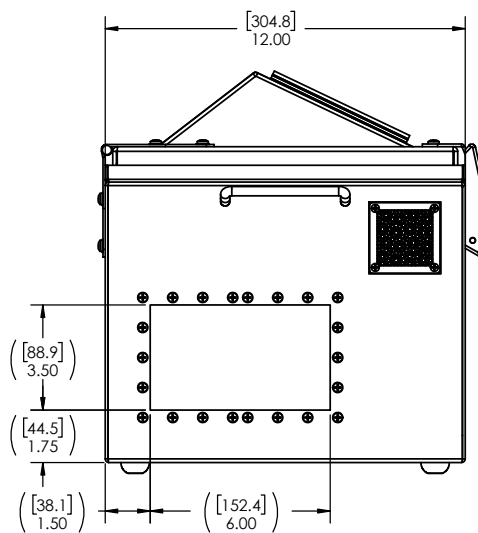
([16.6]
.66)



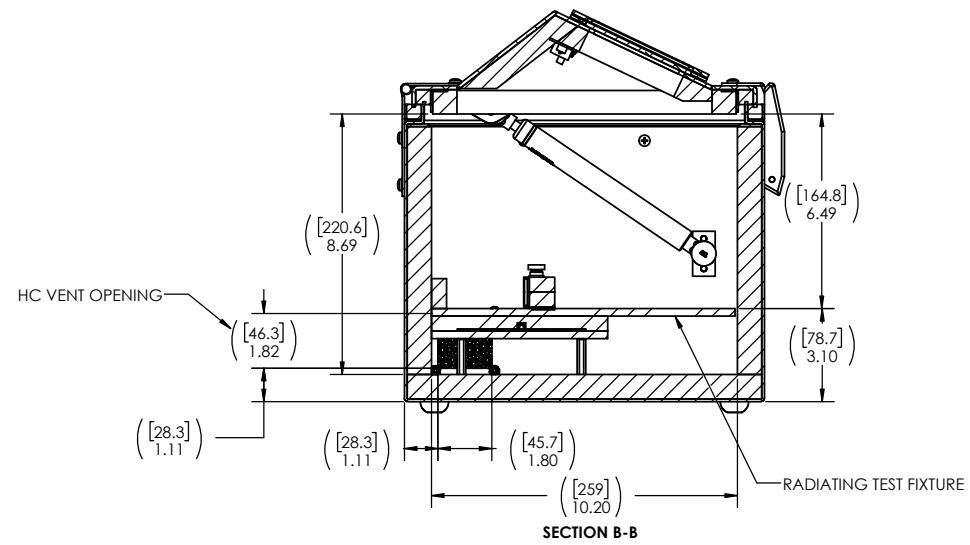
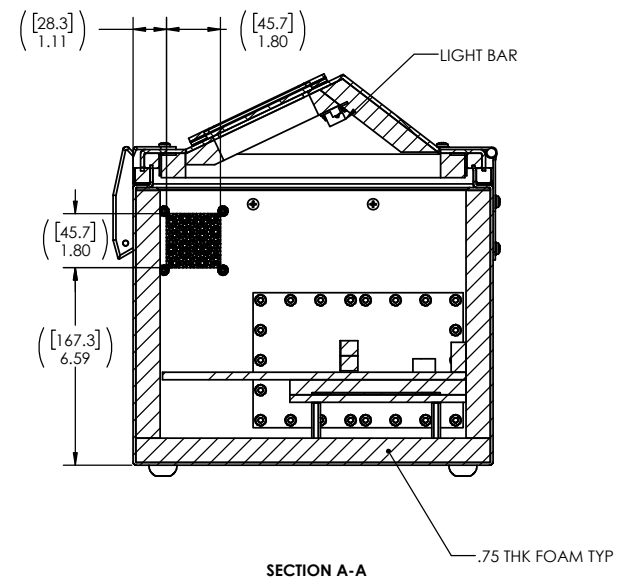
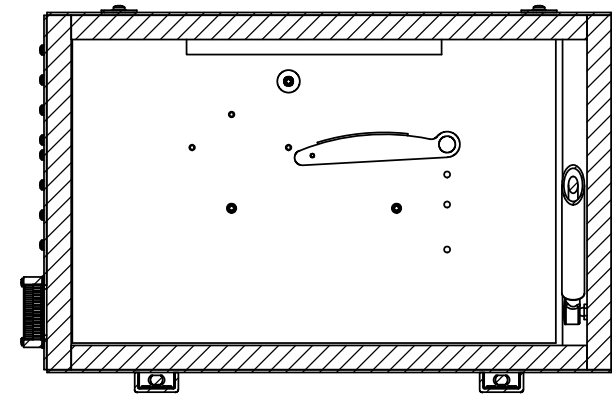
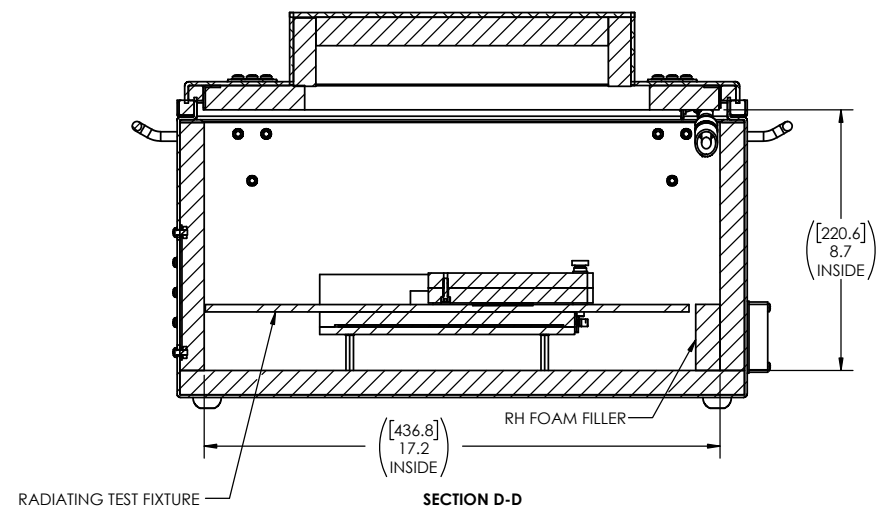
RF WINDOW



60MM HONEYCOMB VENT



<p>PROPRIETARY AND CONFIDENTIAL</p> <p>THE INFORMATION CONTAINED IN THIS DRAWING IS THE SOLE PROPERTY OF RAMSEY ELECTRONICS. ANY REPRODUCTION IN PART OR AS A WHOLE WITHOUT THE WRITTEN PERMISSION OF RAMSEY ELECTRONICS IS PROHIBITED.</p>	<p>UNLESS OTHERWISE SPECIFIED:</p> <p>DIMENSIONS ARE IN INCHES</p> <p>TOLERANCES:</p> <p>FRACTIONAL ± 1/64</p> <p>ANGULAR ± 0.005°</p> <p>THREE PLACE DECIMAL ± .01</p> <p>TWO PLACE DECIMAL ± .005</p>	<p>NAME</p> <p>DATE</p>	<p>Ramsey Electronics®</p> <p>590 Fishers Station Dr. Victor, NY 14564 Ph. (585) 924-4560</p>
	<p>DRAWN</p> <p>CHECKED</p> <p>ENG APPR.</p> <p>IMG APPR.</p> <p>FINAL RELEASE</p> <p>COMMENTS:</p>	<p>J TANDLE</p> <p>5/2/24</p> <p>PMT</p> <p>DW</p> <p>RGO</p> <p>5/3/24</p> <p>5/8/24</p> <p>5/8/24</p>	
	<p>FINISH</p> <p>DO NOT SCALE DRAWING</p>	<p>MODEL NAME:</p> <p>STE3800M CUSTOMER DIMENSIONAL DRWG</p>	
	<p>SCALE: 1:5</p> <p>SHEET 1 OF 2</p>		
<p>TITLE:</p> <p>STE3800M CUSTOMER DIMENSIONAL DRWG</p>		<p>SIZE</p> <p>D</p>	<p>REV</p>



PROPRIETARY AND CONFIDENTIAL THE INFORMATION CONTAINED IN THIS DRAWING IS THE SOLE PROPERTY OF RAMSEY ELECTRONICS, INC. ANY REPRODUCTION IN PART OR AS A WHOLE WITHOUT THE WRITTEN PERMISSION OF RAMSEY ELECTRONICS, INC. IS PROHIBITED.	DIMENSIONS ARE IN INCHES TOLERANCES: FRACTIONAL ± 1/64 ANGULAR BUNCH ± 5° TWO PLACE DECIMAL ± .01 THREE PLACE DECIMAL ± .005	NAME J TANDLE	DATE 5/2/24	Ramsey Electronics® 590 Fishers Station Dr. Victor, NY 14564 Ph. (585) 924-4560
	FINISH DO NOT SCALE DRAWING	INTERPRET GEOMETRIC TOLERANCING PER ASME Y14.5-2009 MATERIAL:	CHECKED ENG APPR. IMRG APPR. FINAL RELEASE COMMENTS:	
	SIZE D	DWG. NO. STE3800M CUSTOMER DIMENSIONAL DRWG	REV	MODEL NAME: STE3800M CUSTOMER DIMENSIONAL DRWG
		SCALE: 1:5	SHEET 2 OF 2	