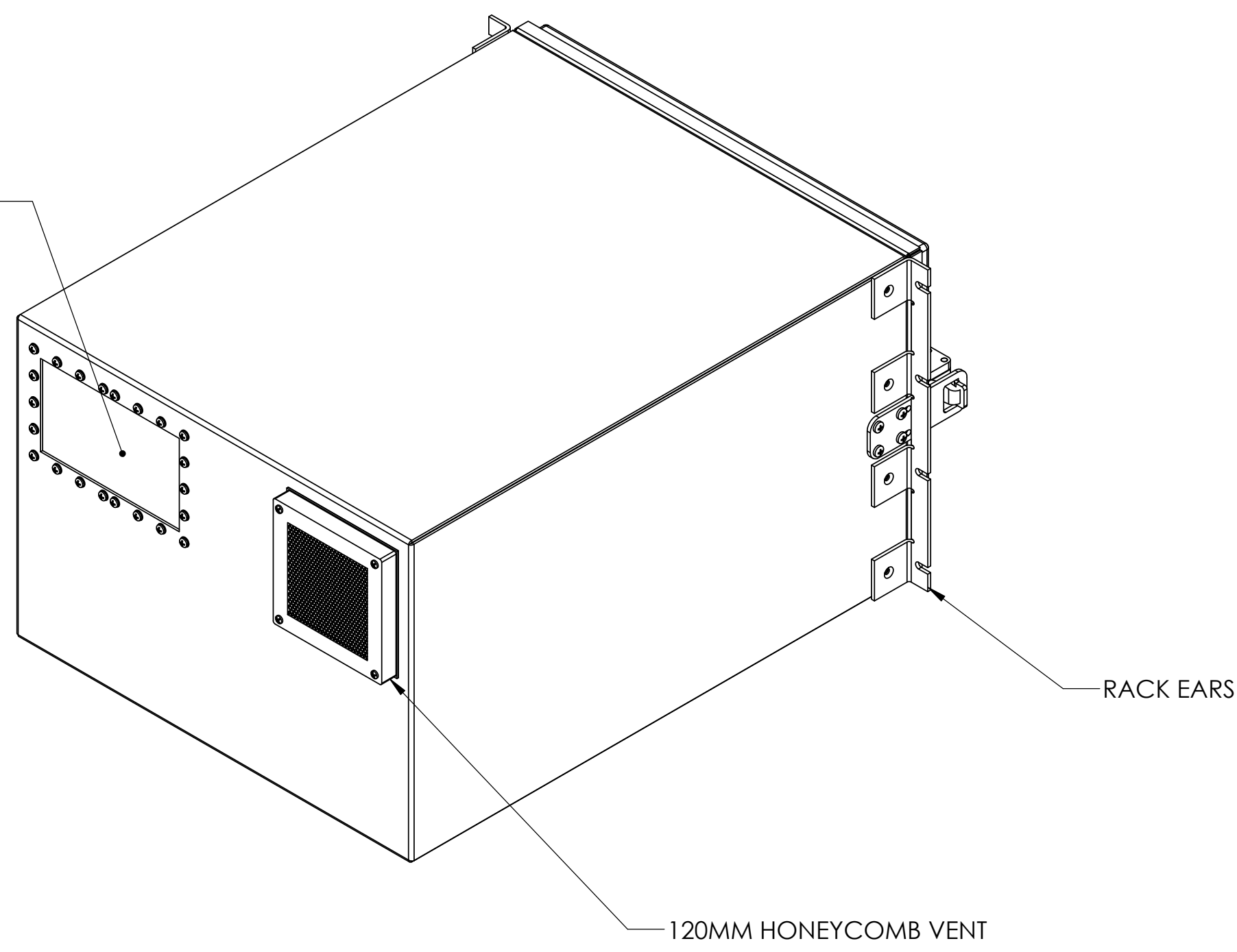


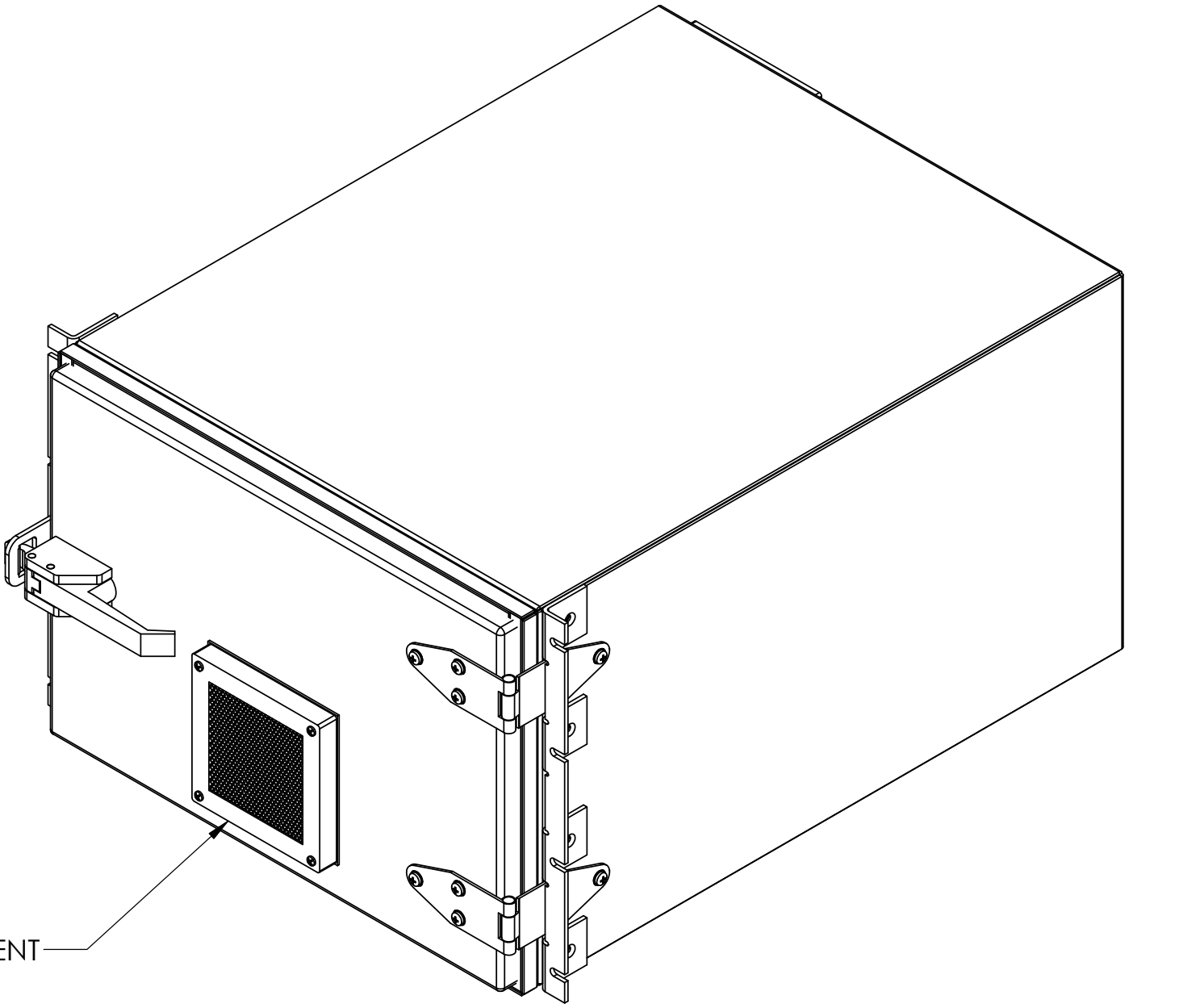
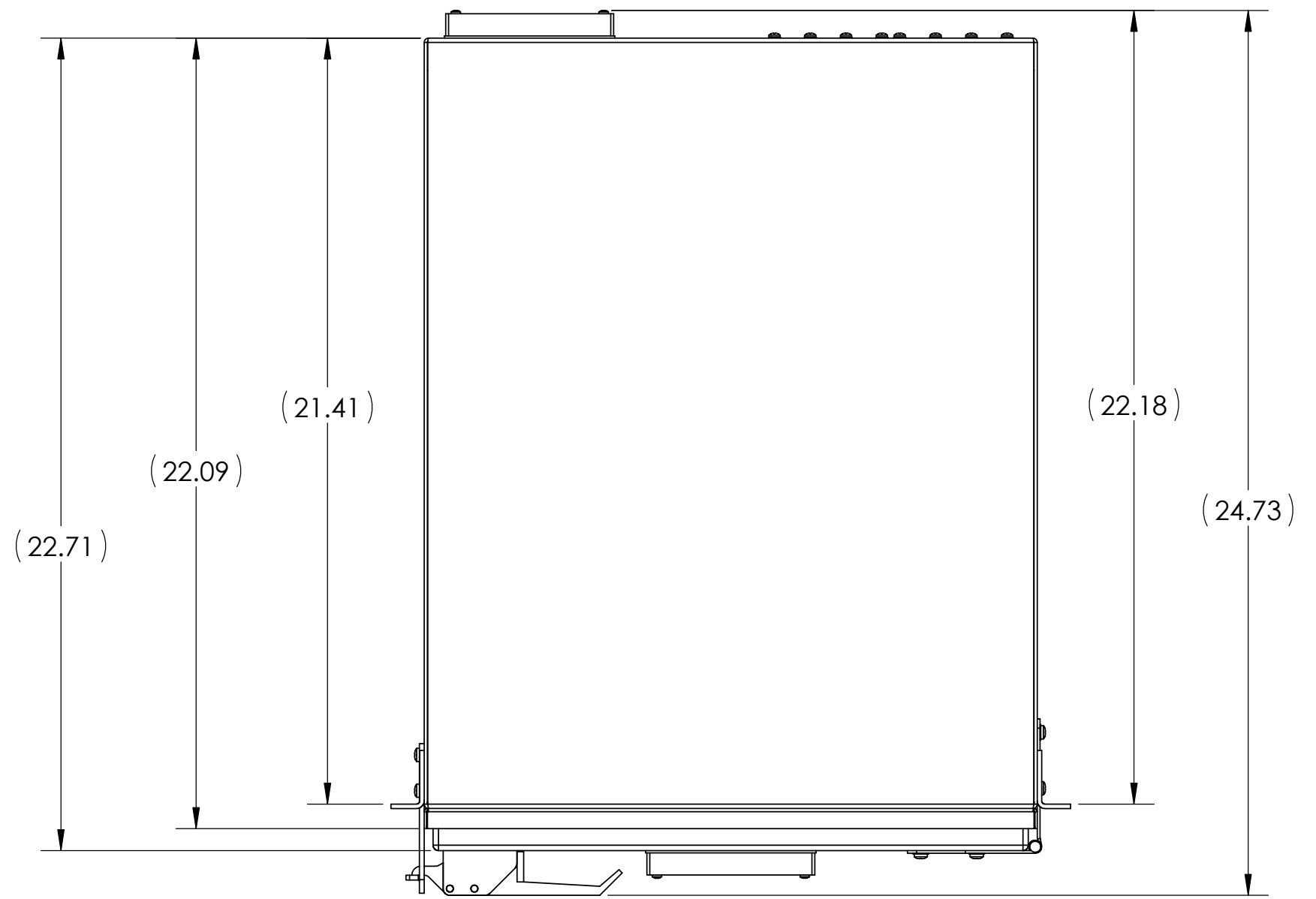
| REVISIONS |                        |            |            |
|-----------|------------------------|------------|------------|
| REV.      | DESCRIPTION            | DATE       | APPROVED   |
| A         | FOAM THICKNESS UPDATED | 12/20/2023 | T. COAKLEY |

BLANK I-O PLATE

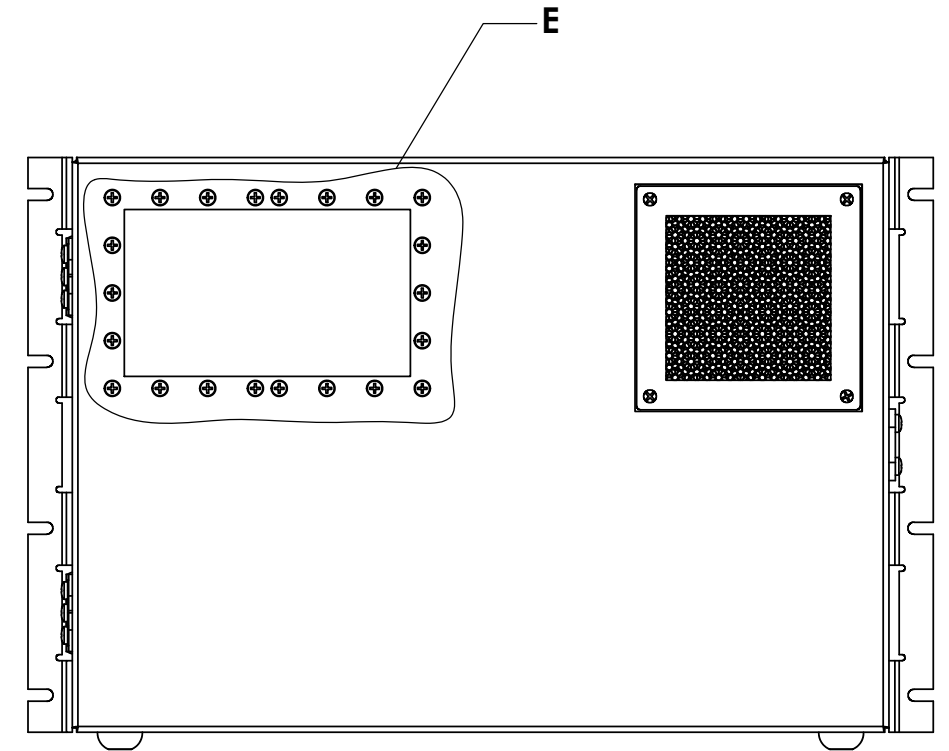


RACK EARS

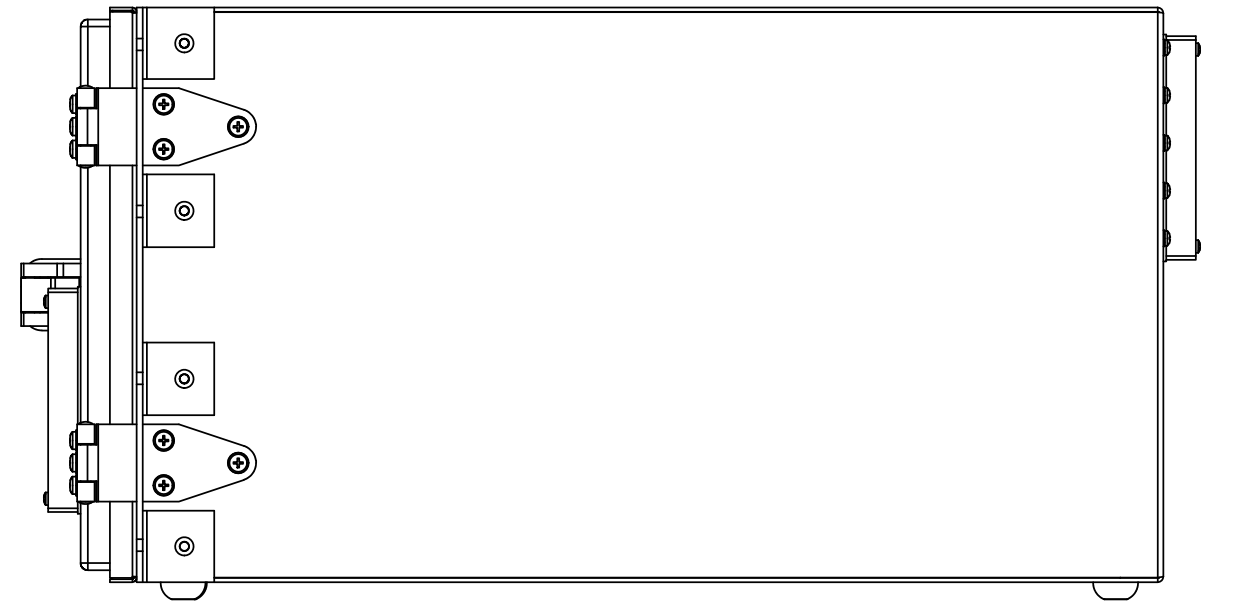
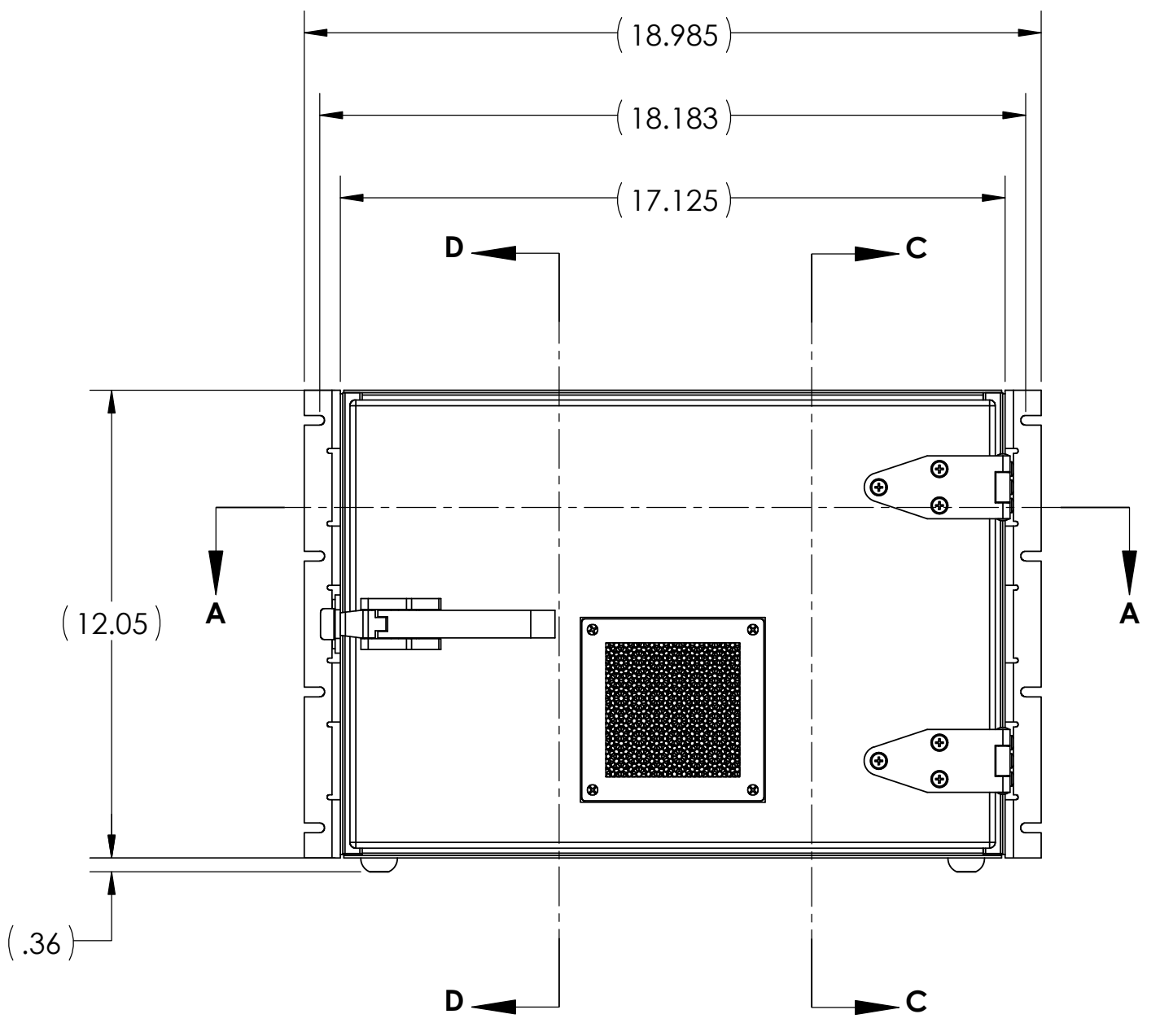
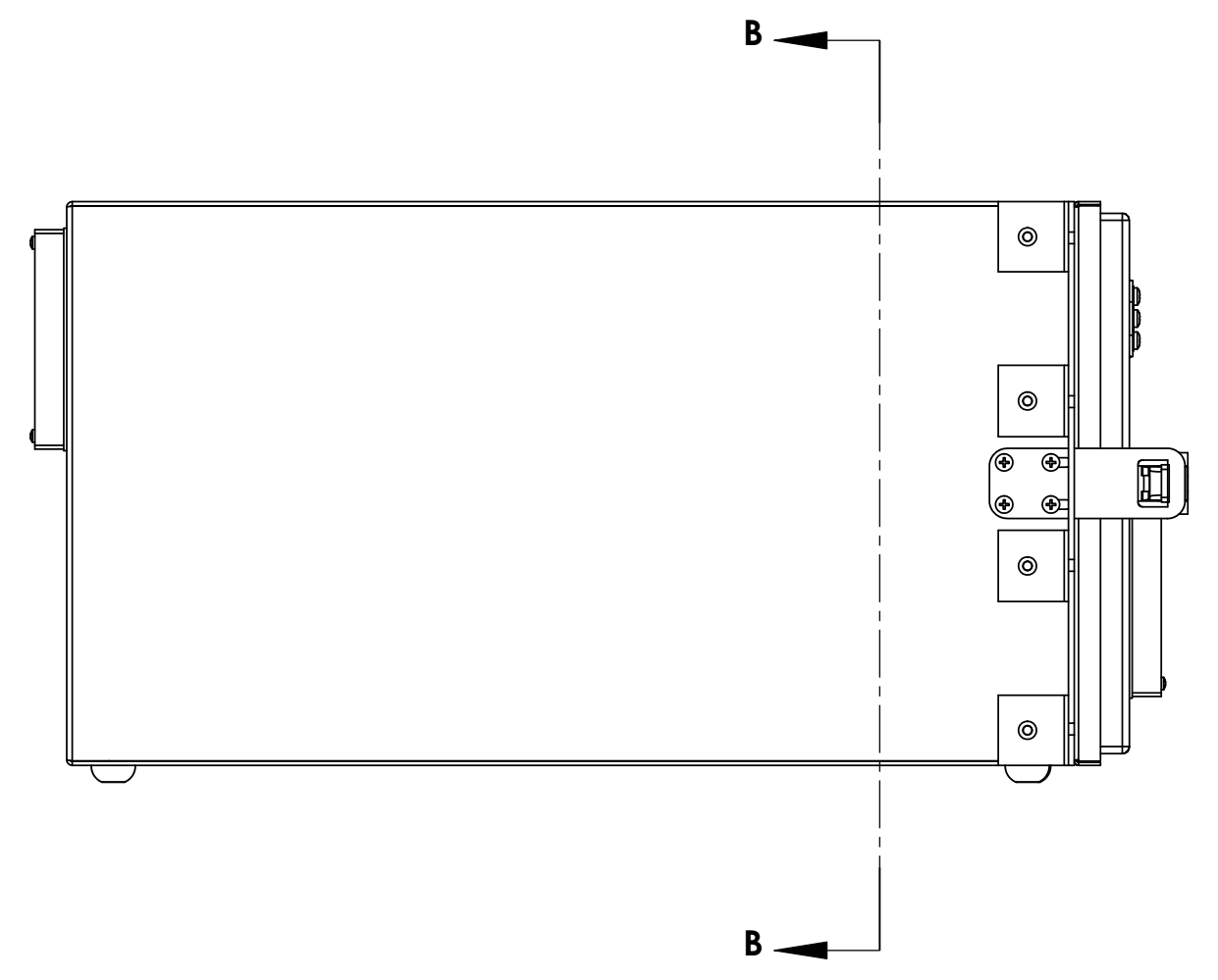
120MM HONEYCOMB VENT



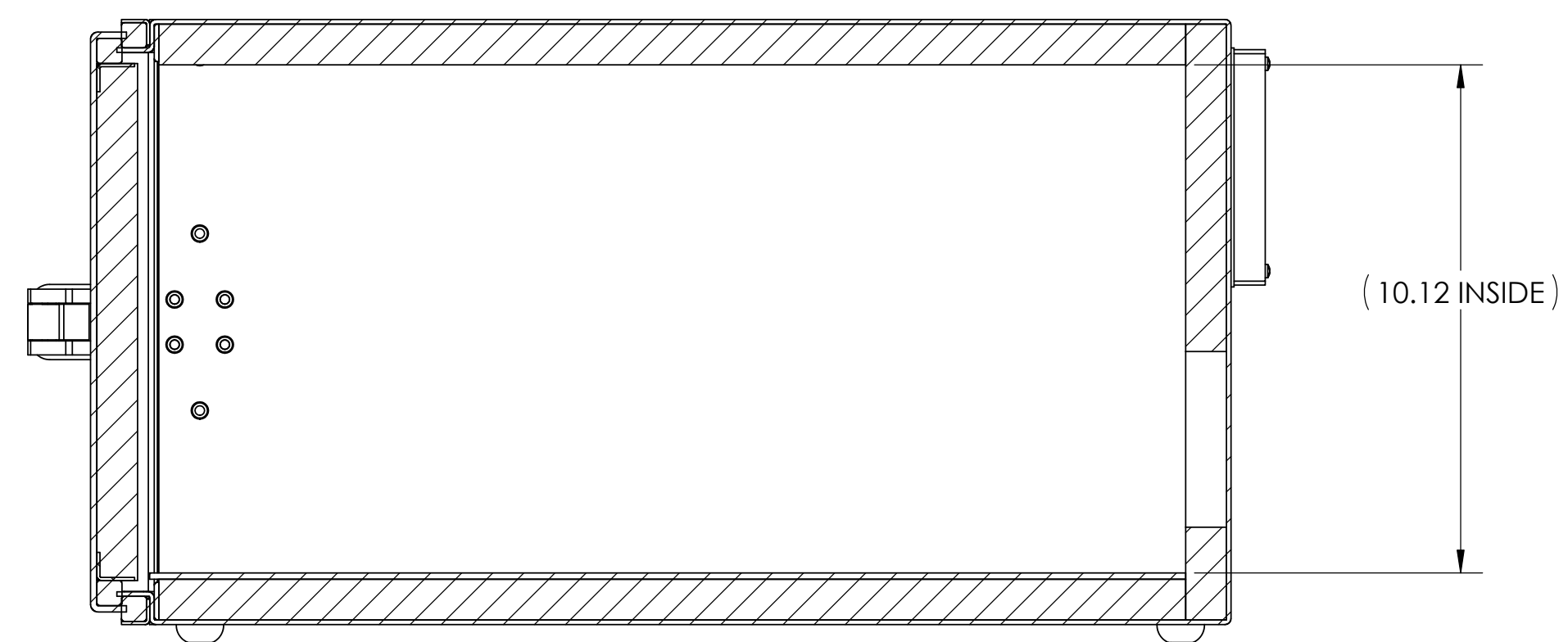
120MM HONEYCOMB VENT



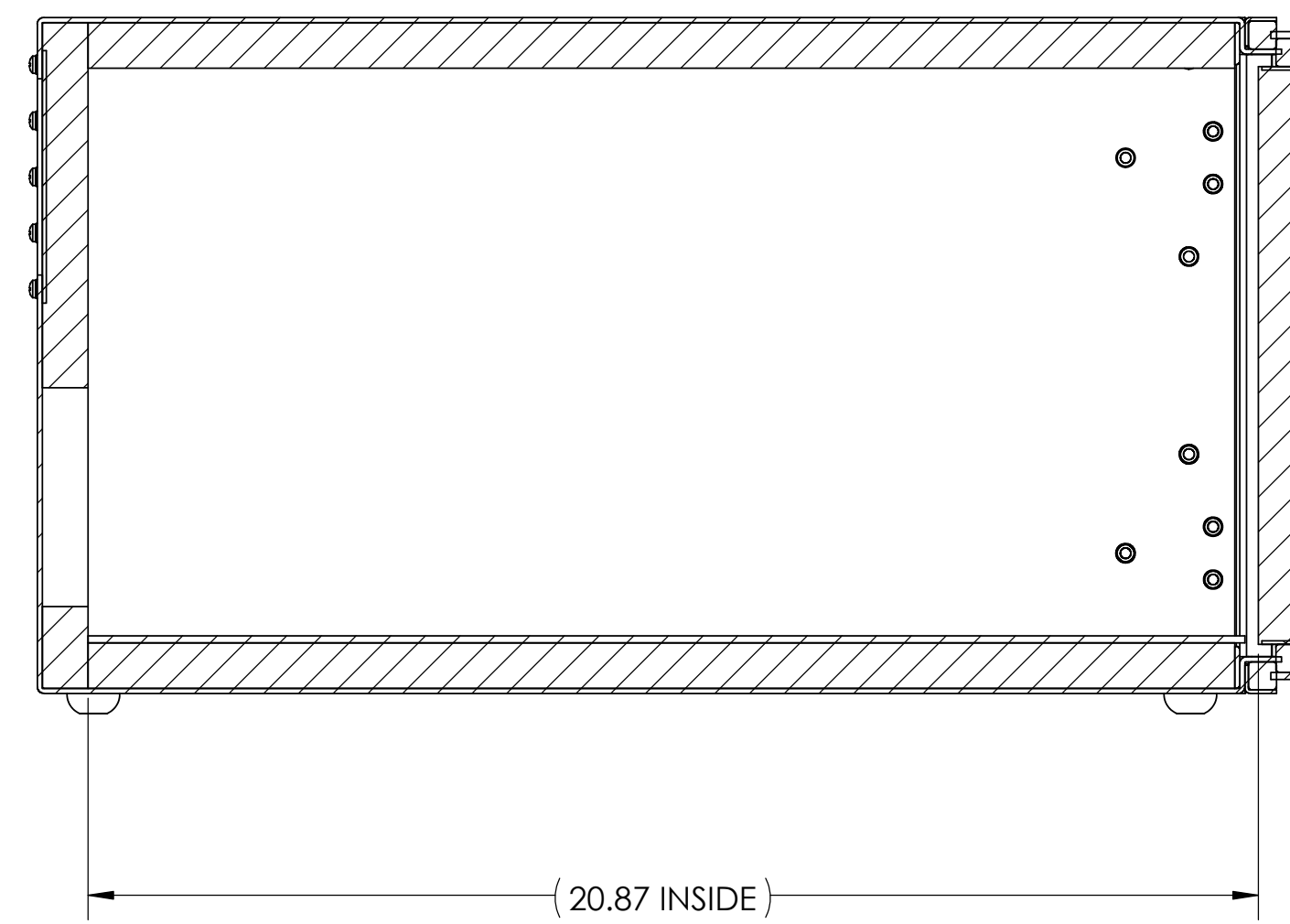
DETAIL E



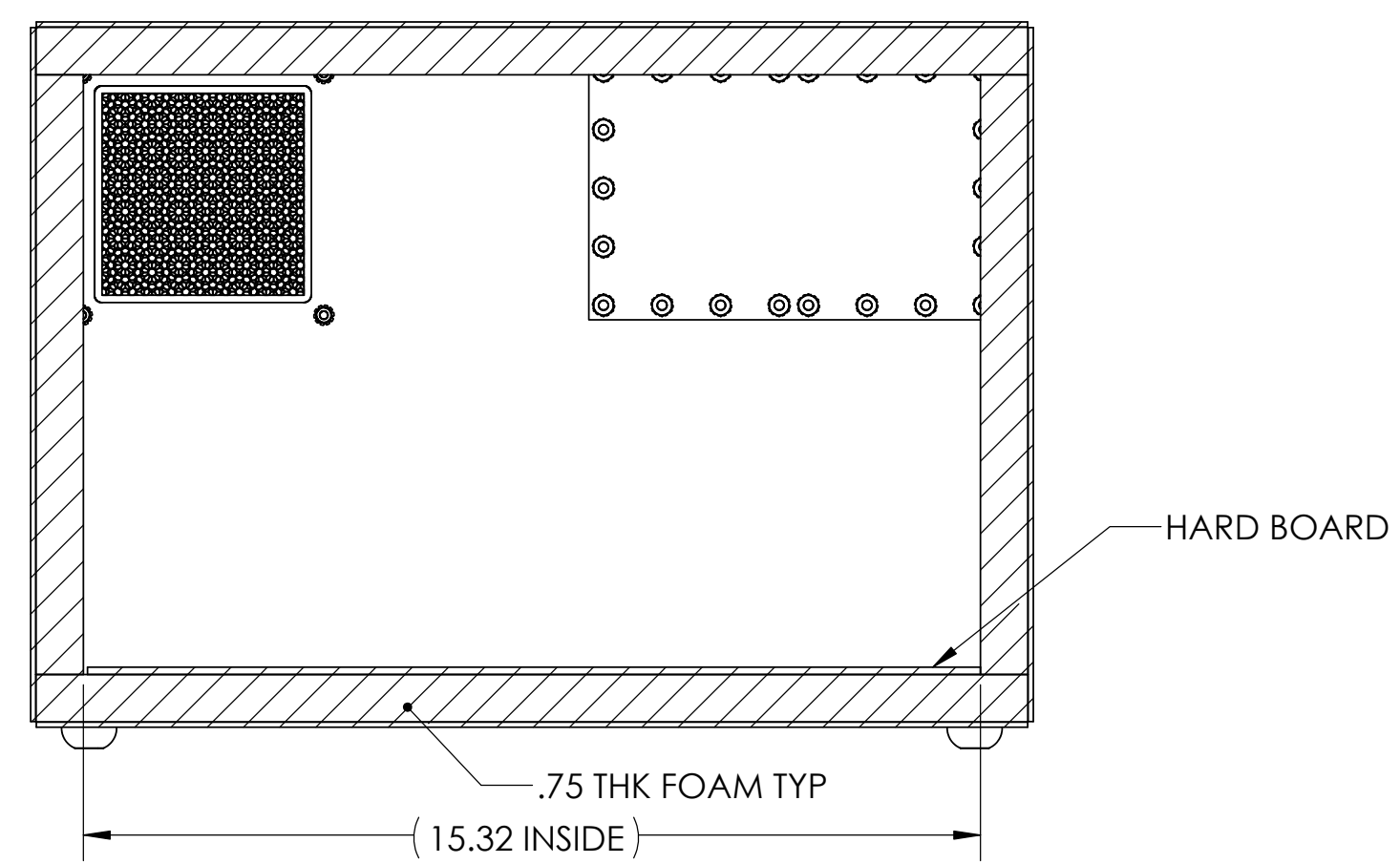
|   |                             |           |            |   |                   |
|---|-----------------------------|-----------|------------|---|-------------------|
| <b>PROPRIETARY AND CONFIDENTIAL</b><br>THE INFORMATION CONTAINED IN THIS DRAWING IS THE SOLE PROPERTY OF RAMSEY ELECTRONICS. ANY REPRODUCTION IN PART OR AS A WHOLE WITHOUT THE WRITTEN PERMISSION OF RAMSEY ELECTRONICS IS PROHIBITED. | UNLESS OTHERWISE SPECIFIED: | NAME      | DATE       | <b>Ramsey Electronics®</b><br>590 Fishers Station Dr.<br>Victor, NY 14554<br>Ph. (585) 924-4560 |                   |
|   | DIMENSIONS ARE IN INCHES    | DRAWN     | T. COAKLEY |   | 11/15/21          |
|   | TOLERANCES:                 | CHECKED   | JRT        |   | 01/06/22          |
|   | FRACTIONAL: 1/64            | ENG APPR. | PMT        |   | 01/06/22          |
| ANGULAR: MACH±0.5° BEND±1°  | MFG APPR.                   | DW        | 01/12/22   | TITLE:  |                   |
| TWO PLACE DECIMAL ±.01  | THIRD RELEASE               |           |            | STE4430M CUSTOMER   |                   |
| THREE PLACE DECIMAL ±.005   | COMMENTS:                   |           |            | DIMENSIONAL DRWG  |                   |
| INTERPRET GEOMETRIC TOLERANCING PER ASME Y14.5-2009   |                             |           |            | SIZE  | D                 |
| MATERIAL  |                             |           |            | DWG. NO.  | STE4430M CUSTOMER |
| FINISH  |                             |           |            | DIMENSIONAL DRWG  | REV               |
| DO NOT SCALE DRAWING  |                             |           |            | MODEL NAME:   | A                 |
|   |                             |           |            | STE4430M CUSTOMER DIMENSIONAL DRWG  | SCALE: 1:8        |
|   |                             |           |            |   | SHEET 1 OF 2      |



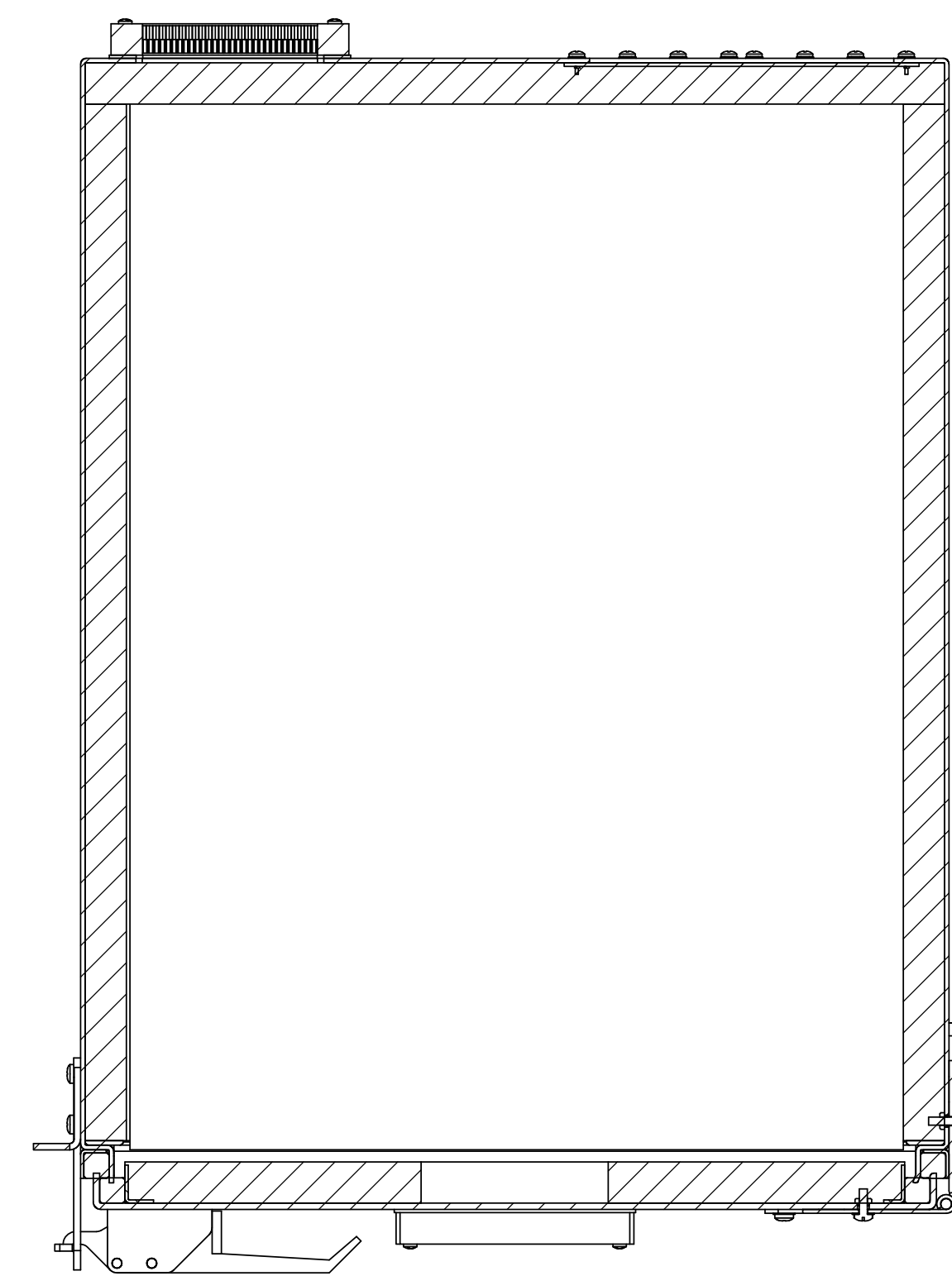
SECTION D-D



SECTION C-C



SECTION B-B



SECTION A-A

|   |   |   |  |   |
|---|---|---|--|---|
| <b>PROPRIETARY AND CONFIDENTIAL</b><br>THE INFORMATION CONTAINED IN THIS DRAWING IS THE SOLE PROPERTY OF RAMSEY ELECTRONICS. ANY REPRODUCTION IN PART OR AS A WHOLE WITHOUT THE WRITTEN PERMISSION OF RAMSEY ELECTRONICS IS PROHIBITED. | UNLESS OTHERWISE SPECIFIED:<br>DIMENSIONS ARE IN INCHES<br>TOLERANCES:<br>FRACTIONALS 1/64<br>ANGULAR: MACH±0.5° BEND±1°<br>TWO PLACE DECIMAL ±.01<br>THREE PLACE DECIMAL ±.005 | NAME<br>T. COAKLEY<br>DATE<br>11/15/21                          | DRAWN<br>T. COAKLEY<br>11/15/21              | <b>Ramsey Electronics®</b><br>590 Fishers Station Dr.<br>Victor, NY 14554<br>Ph. (585) 924-4560 |
|   | INTERPRET GEOMETRIC TOLERANCING PER ASME Y14.5-2009   | CHECKED<br>ENG APPR.<br>MFG APPR.<br>FINAL RELEASE<br>COMMENTS: | TITLE:<br>STE4430M CUSTOMER DIMENSIONAL DRWG |   |
| FINISH<br>DO NOT SCALE DRAWING  | MODEL NAME:<br>STE4430M CUSTOMER DIMENSIONAL DRWG   | SCALE: 1:8  | SHEET 2 OF 2                                 | SHEET 2 OF 2  |