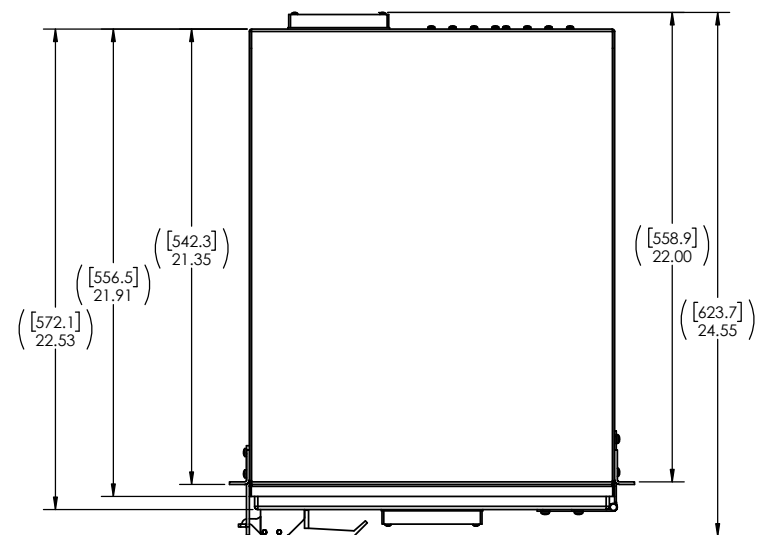
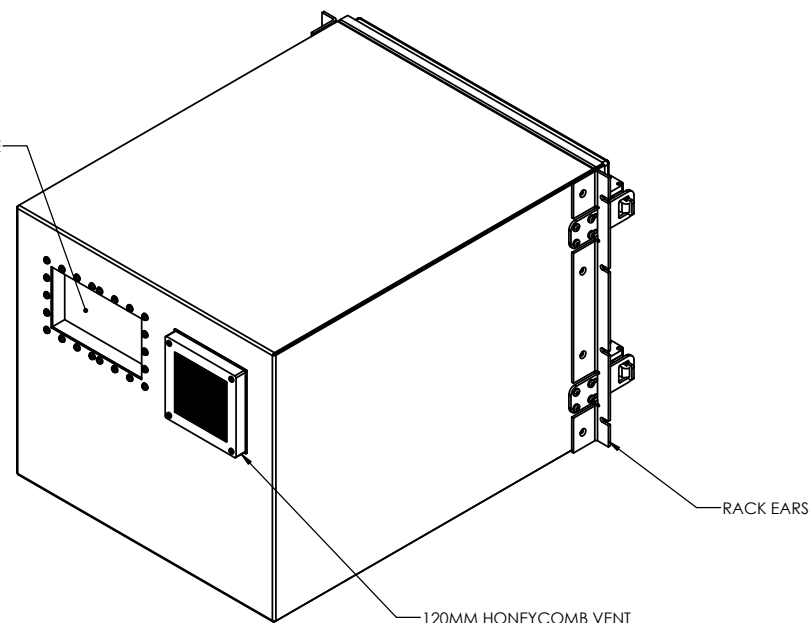
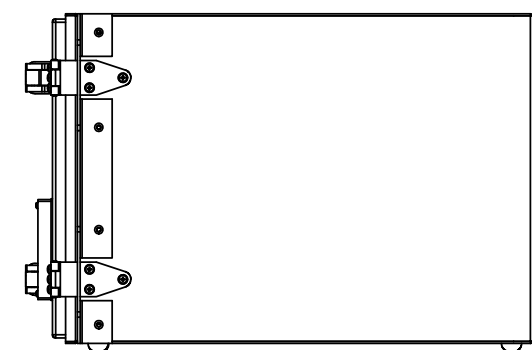
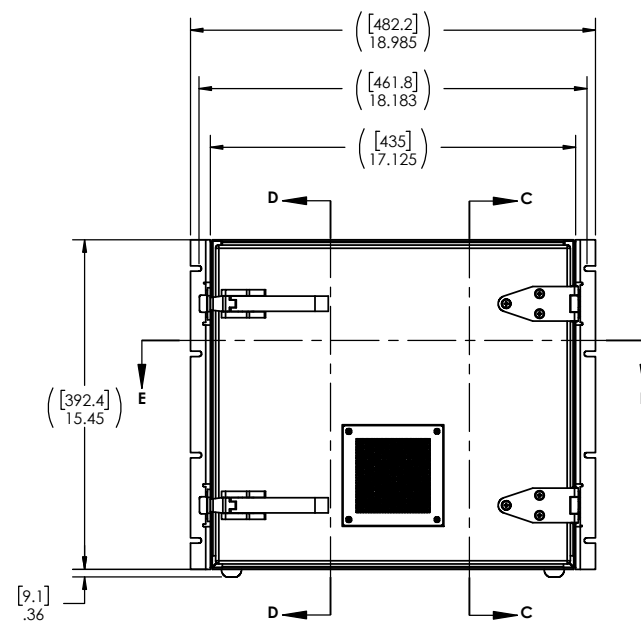
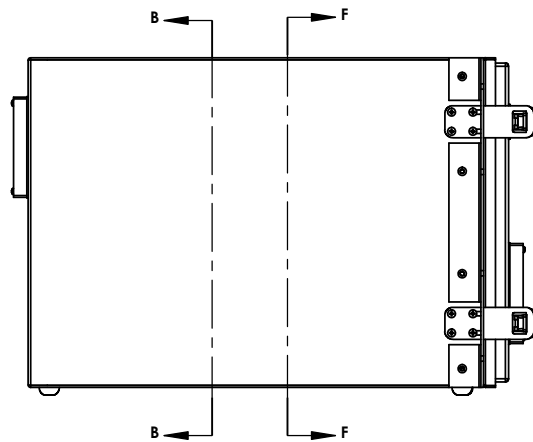
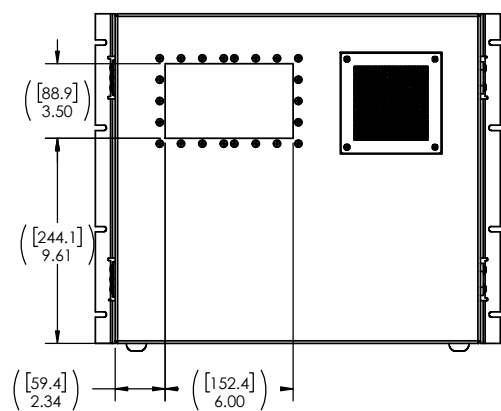
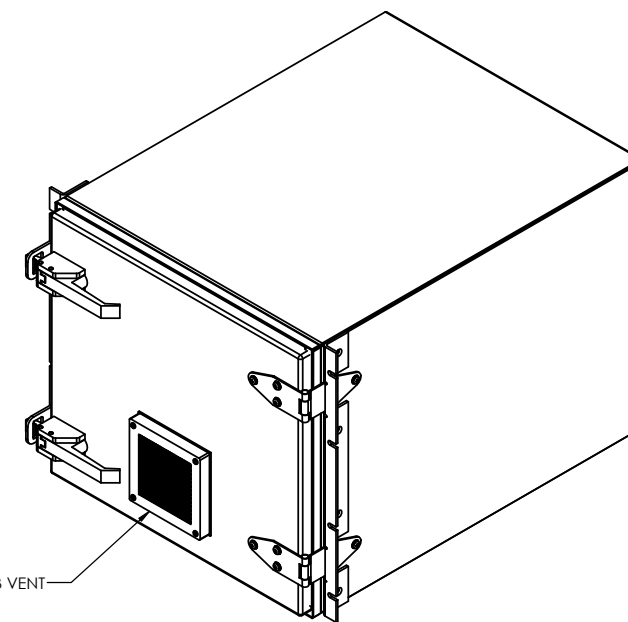


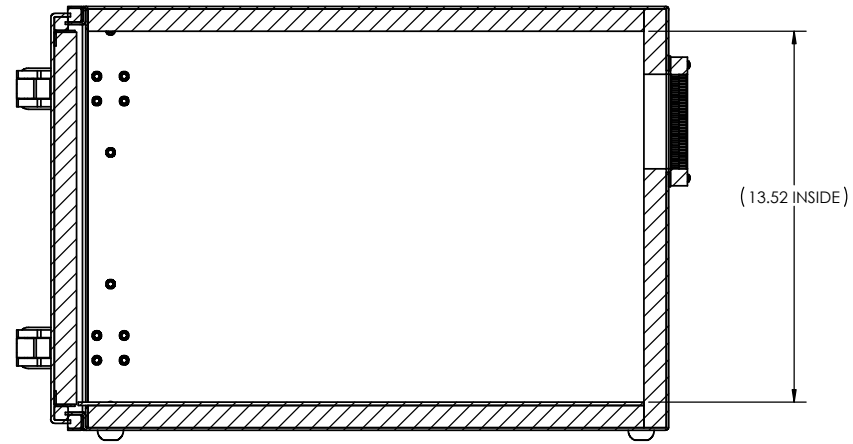
BLANK I-O PLATE



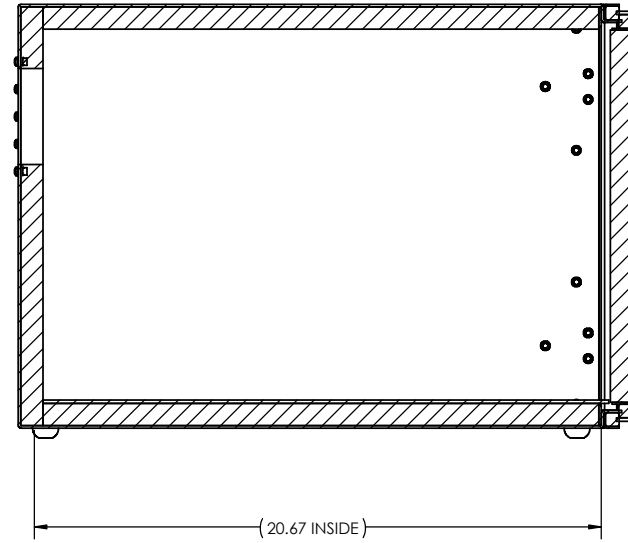
120MM HONEYCOMB VENT



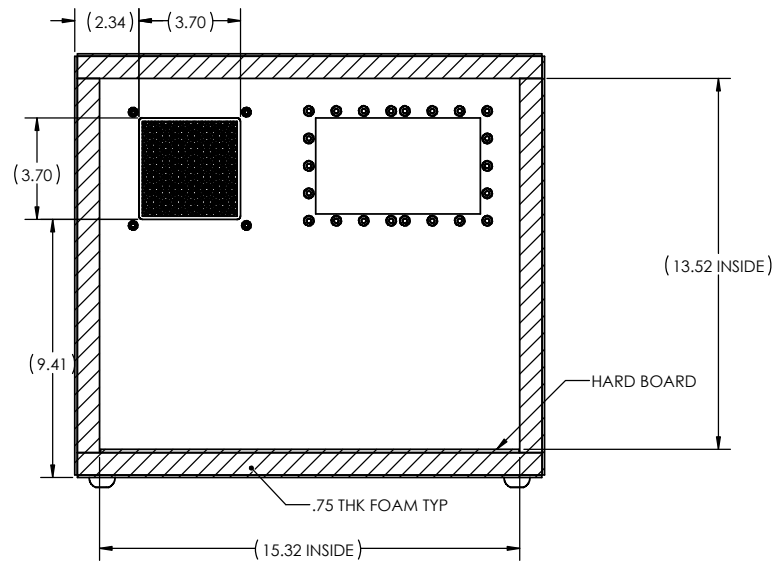
PROPRIETARY AND CONFIDENTIAL THE INFORMATION CONTAINED IN THIS DRAWING IS THE SOLE PROPERTY OF RAMSEY ELECTRONICS. ANY REPRODUCTION IN PART OR AS A WHOLE WITHOUT THE WRITTEN PERMISSION OF RAMSEY ELECTRONICS IS PROHIBITED.	DIMENSIONS ARE IN INCHES TOLERANCES: FRACTIONAL ± 1/64 ANGULAR ± 0.005 TWO PLACE DECIMAL ± .01 THREE PLACE DECIMAL ± .005	NAME: J TANDLE DATE: 5/22/23 CHECKED: - ENG APPR: PMT 5/22/23 IMRG APPR: FINAL RELEASE:	Ramsey Electronics® 590 Fishers Station Dr. Victor, NY 14564 Ph. (585) 924-4560
	INTERPRET GEOMETRIC TOLERANCING PER ASME Y14.5-2009 MATERIAL: FINISH: DO NOT SCALE DRAWING	COMMENTS:	TITLE: STE4450M CUSTOMER DIMENSIONAL DRWG



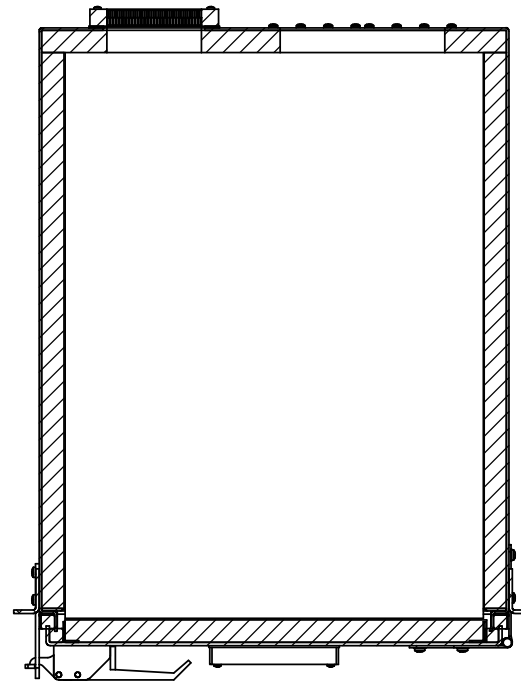
SECTION D-D



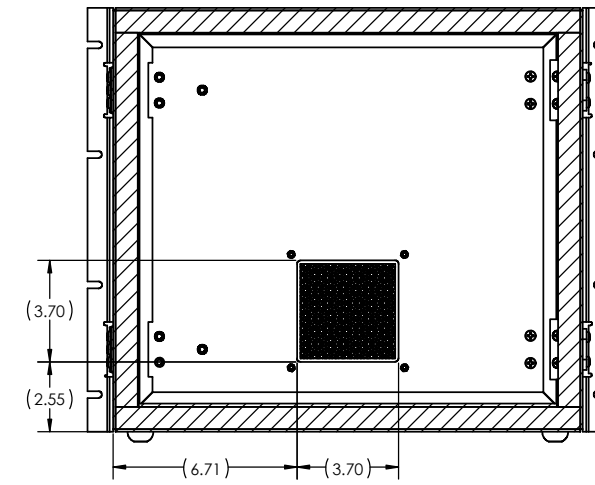
SECTION C-C



SECTION B-B



SECTION E-E



SECTION F-F
SCALE 1 : 3.5

PROPRIETARY AND CONFIDENTIAL THE INFORMATION CONTAINED IN THIS DRAWING IS THE SOLE PROPERTY OF RAMSEY ELECTRONICS, INC. ANY REPRODUCTION IN PART OR AS A WHOLE WITHOUT THE WRITTEN PERMISSION OF RAMSEY ELECTRONICS, INC. IS PROHIBITED.	DIMENSIONS ARE IN INCHES TOLERANCES: FRACTIONAL ± 1/64 ANGULAR ± 0.005 TWO PLACE DECIMAL ± .01 THREE PLACE DECIMAL ± .005	NAME J TANDLE	DATE 5/22/23	Ramsey Electronics® 590 Fishers Station Dr. Victor, NY 14564 Ph. (585) 924-4560	
	FINISH DO NOT SCALE DRAWING	INTERPRET GEOMETRIC TOLERANCING PER ASME Y14.5-2009	DRAWN CHECKED ENG APPR. IMG APPR. FINAL RELEAS		TITLE: STE4450M
	MODEL NAME: STE4450M CUSTOMER DIMENSIONAL DRWG	COMMENTS:	SIZE D		DWG. NO. STE4450M CUSTOMER DIMENSIONAL DRWG
	SCALE: 1:8	SHEET 2 OF 2	REV		CUSTOMER DIMENSIONAL DRWG