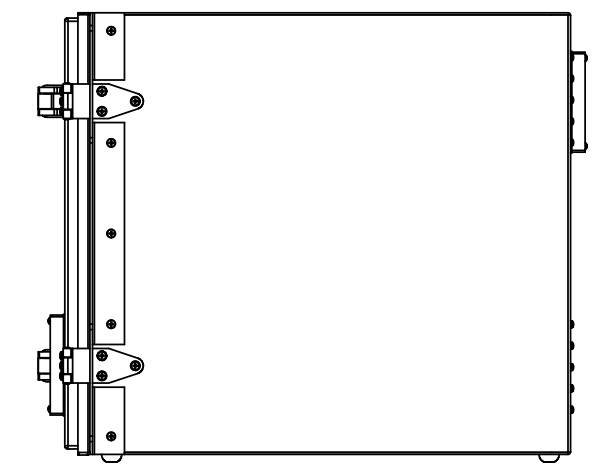
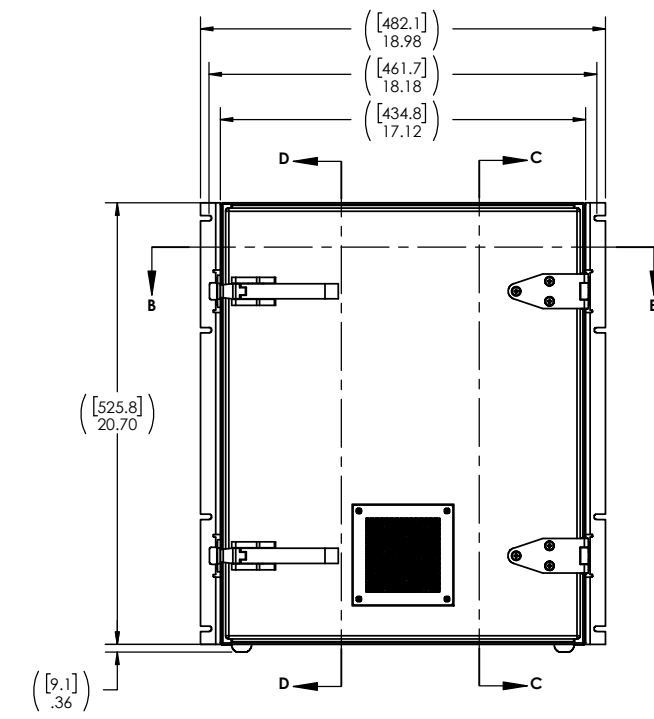
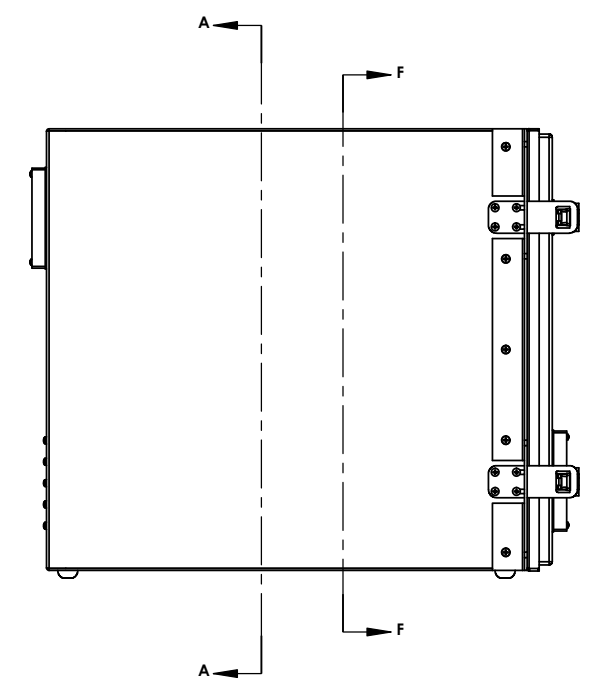
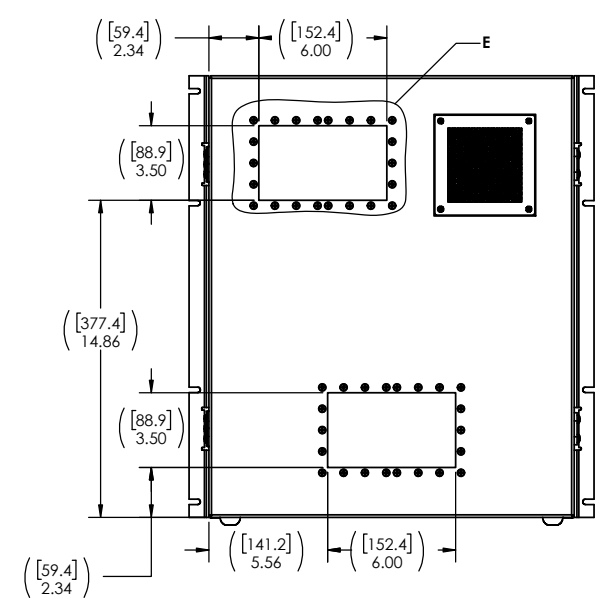
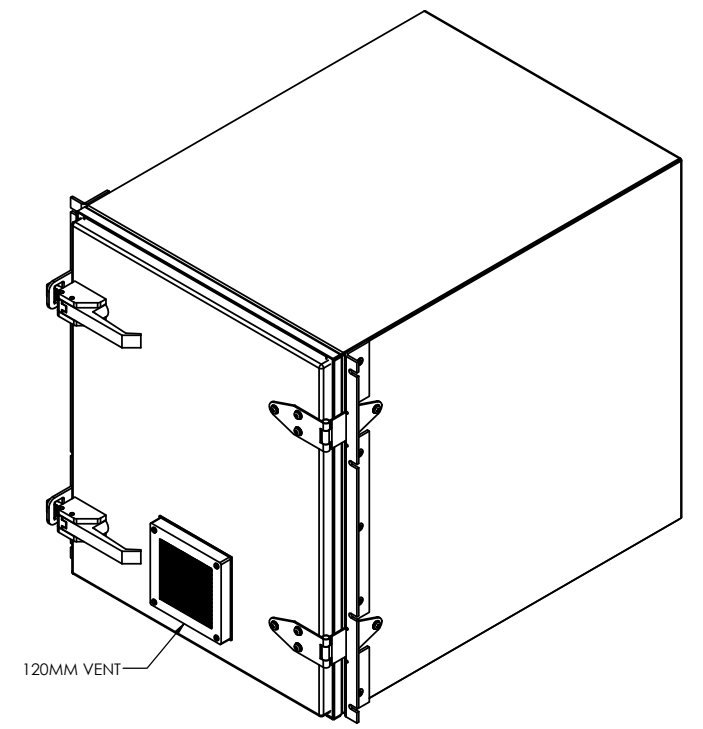
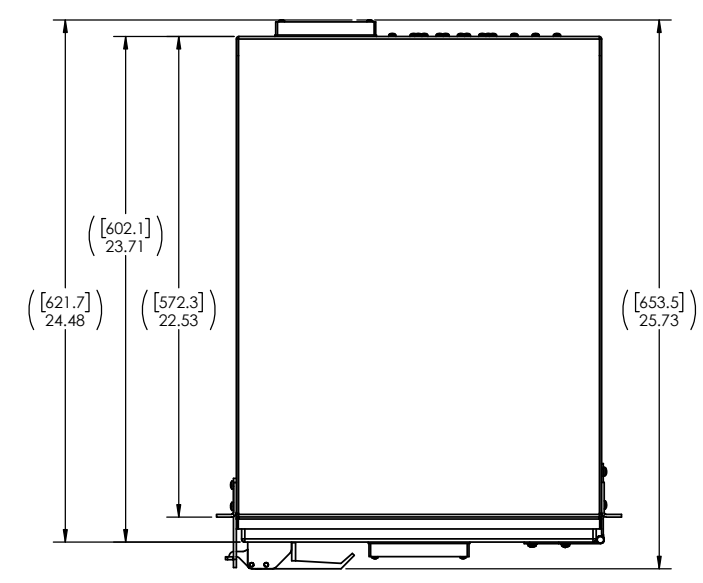
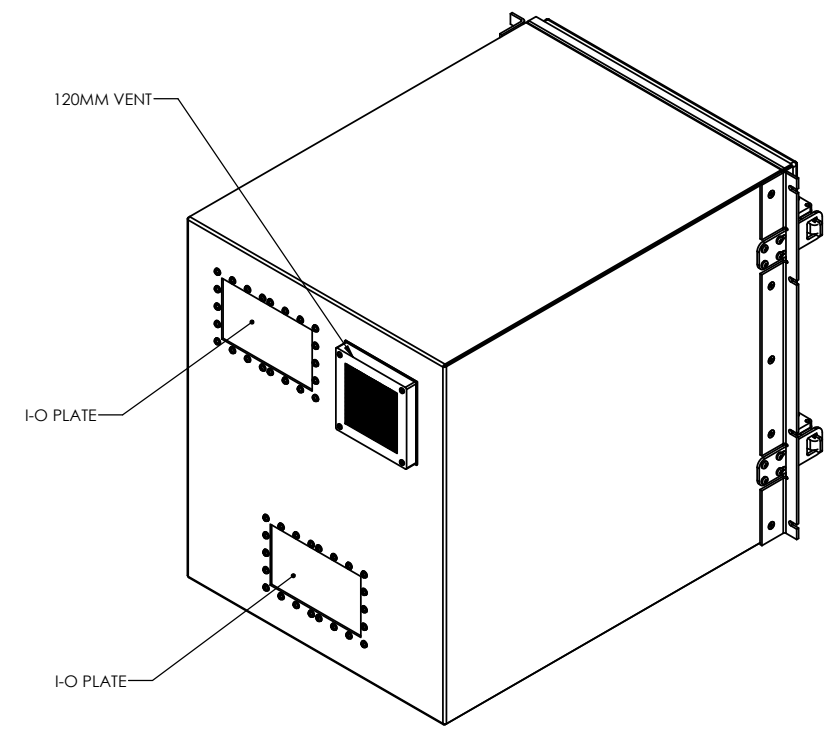
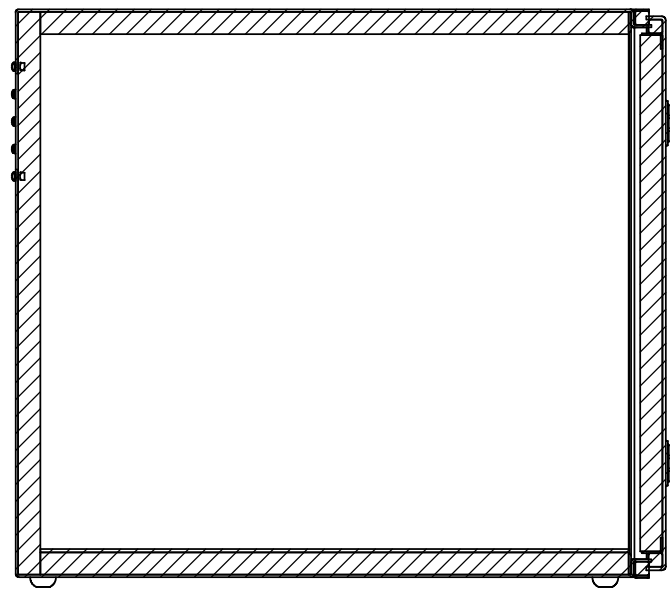
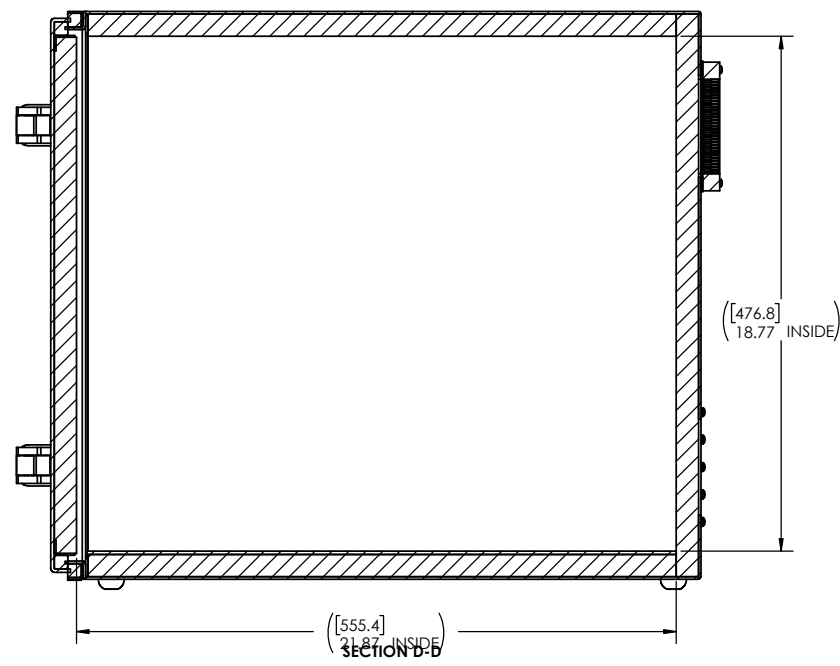


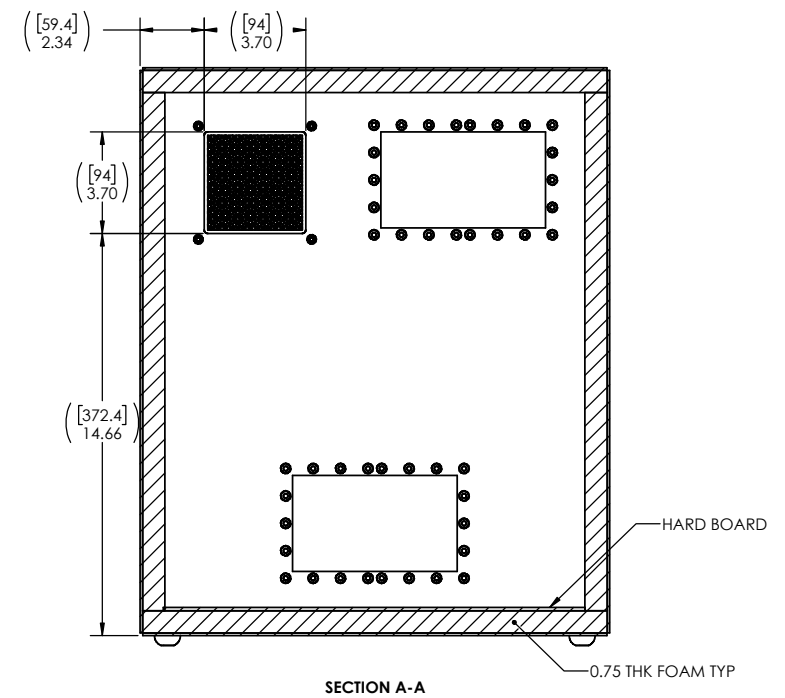
REVISIONS			
REV.	DESCRIPTION	DATE	APPROVED
A	FOAM THICKNESS UPDATED	12/19/2023	F



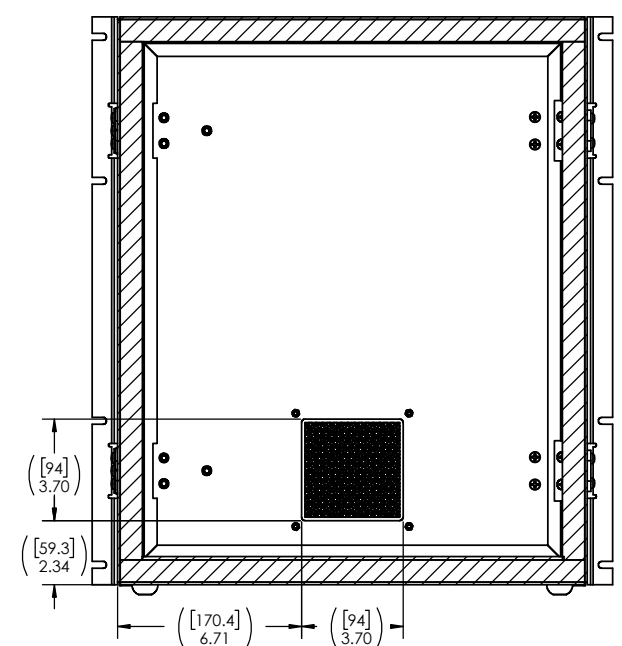
ramsey <small>THE INFORMATION CONTAINED IN THIS DRAWING IS THE SOLE PROPERTY OF RAMSEY ELECTRONICS. ANY REPRODUCTION IN PART OR AS A WHOLE WITHOUT THE WRITTEN PERMISSION OF RAMSEY ELECTRONICS IS PROHIBITED.</small>	<small>UNLESS OTHERWISE SPECIFIED:</small> DIMENSIONS ARE IN INCHES TOLERANCES: FRACTIONAL ± 1/64 ANGULAR ± 0.01 HOLE ± 0.01 TWO PLACE DECIMAL ± .01 THREE PLACE DECIMAL ± .005	NAME: T. COAKLEY DATE: 5/18/23 CHECKED: - ENG APPR: PMT 5/24/23 IMRG APPR: - FINAL RELEASE: - COMMENTS:	Ramsey Electronics® 590 Fishers Station Dr. Victor, NY 14564 Ph. (585) 924-4560 TITLE: STE4470M CUSTOMER DIMENSIONAL DRWG	
	<small>INTERPRET GEOMETRIC TOLERANCING PER ASME Y14.5-2009</small> MATERIAL: FINISH: DO NOT SCALE DRAWING	MODEL NAME: STE4470M CUSTOMER DIMENSIONAL DRWG	SCALE: 1:8 SHEET 1 OF 2	SIZE: D DWG. NO.: STE4470M CUSTOMER DIMENSIONAL DRWG REV: A



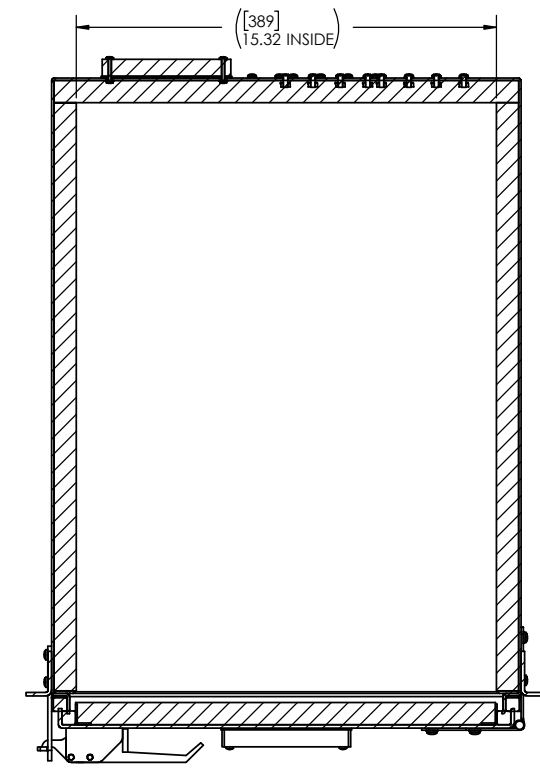
SECTION C-C



SECTION A-A



SECTION F-F
SCALE 1 : 3.5



SECTION B-B

PROPRIETARY AND CONFIDENTIAL THE INFORMATION CONTAINED IN THIS DRAWING IS THE SOLE PROPERTY OF RAMSEY ELECTRONICS. ANY REPRODUCTION IN PART OR AS A WHOLE WITHOUT THE WRITTEN PERMISSION OF RAMSEY ELECTRONICS IS PROHIBITED.	UNLESS OTHERWISE SPECIFIED: DIMENSIONS ARE IN INCHES TOLERANCES: FRACTIONAL ± 1/64 ANGULAR ± 0.005 TWO PLACE DECIMAL ± .01 THREE PLACE DECIMAL ± .005	NAME T. COAKLEY	DATE 5/18/23	Ramsey Electronics® 590 Fishers Station Dr. Victor, NY 14564 Ph. (585) 924-4560
	FINISH DO NOT SCALE DRAWING	INTERPRET GEOMETRIC TOLERANCING PER ASME Y14.5-2009 MATERIAL:	CHECKED ENG APPR. FINAL RELEASE COMMENTS:	
	MODEL NAME: STE4470M CUSTOMER DIMENSIONAL DRWG	SCALE: 1:8	SHEET 2 OF 2	REV A