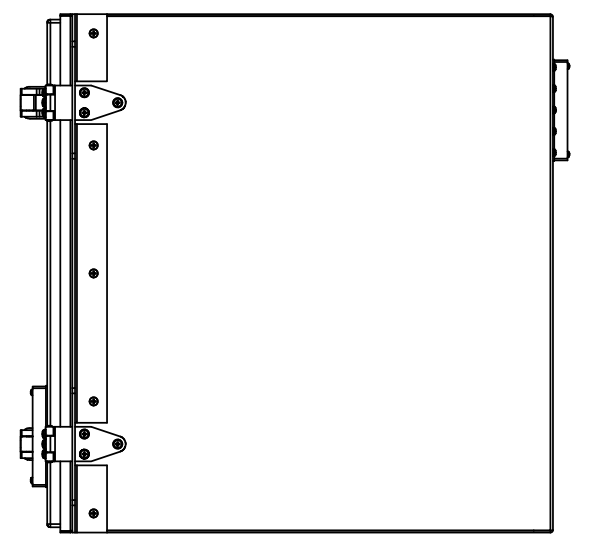
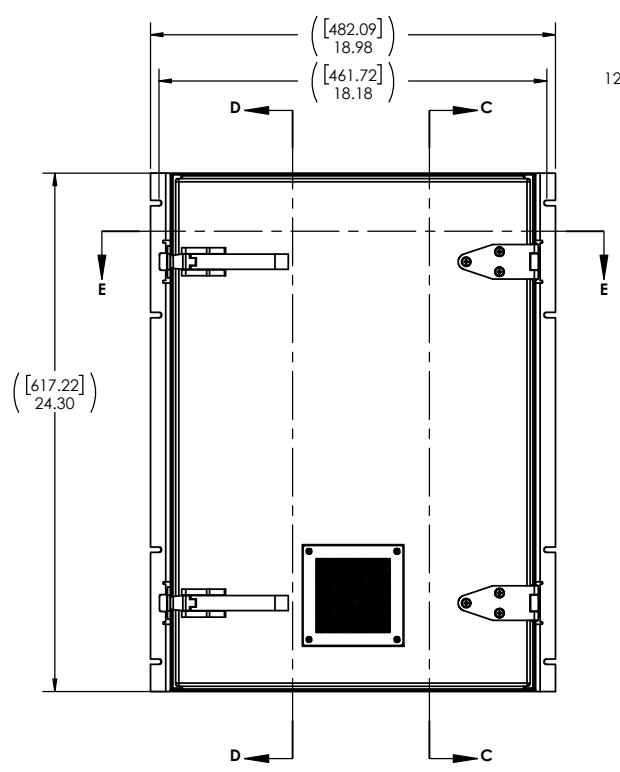
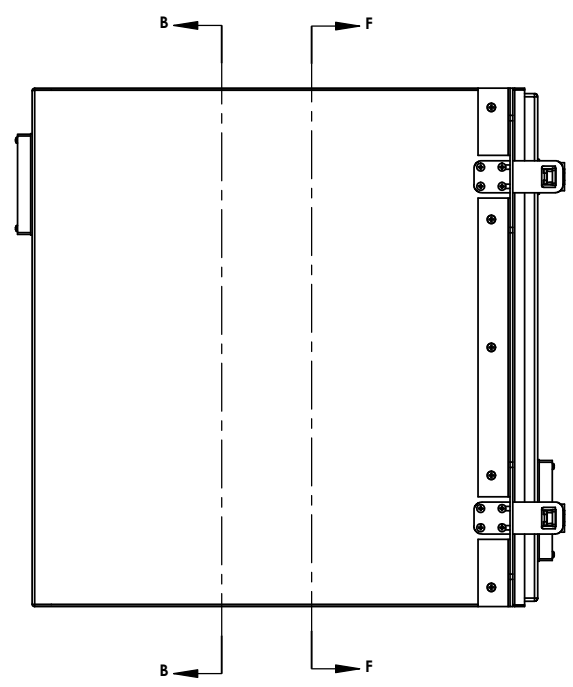
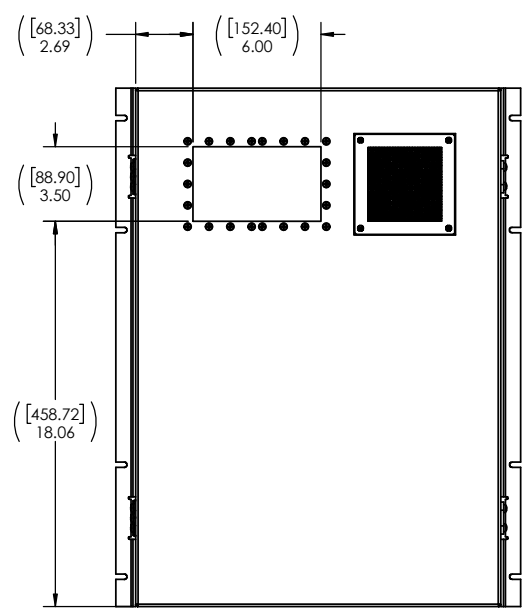
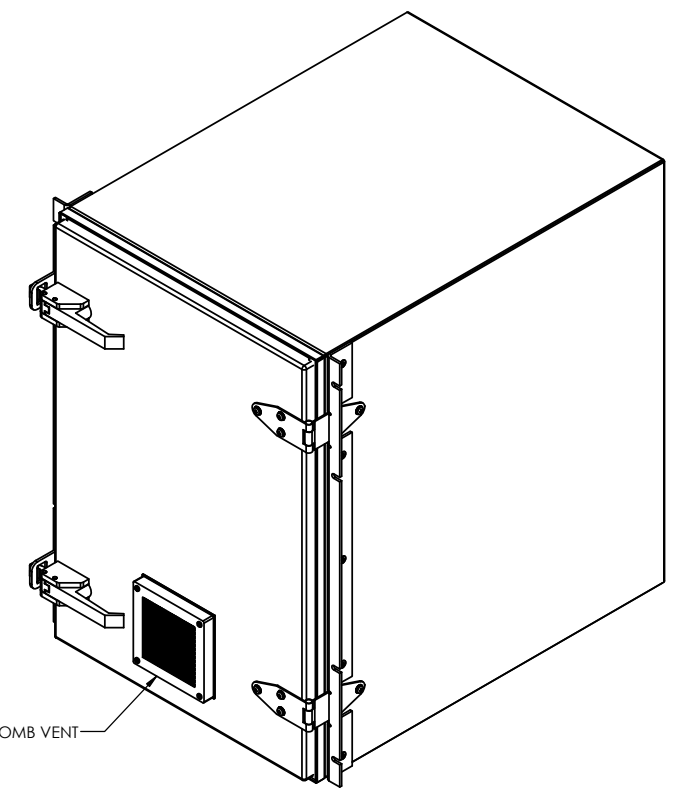
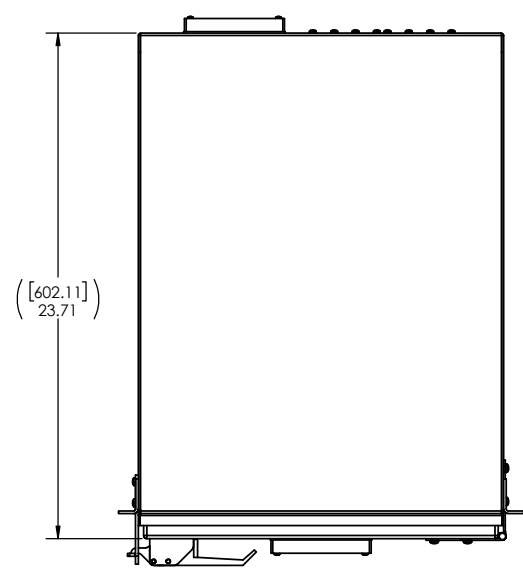
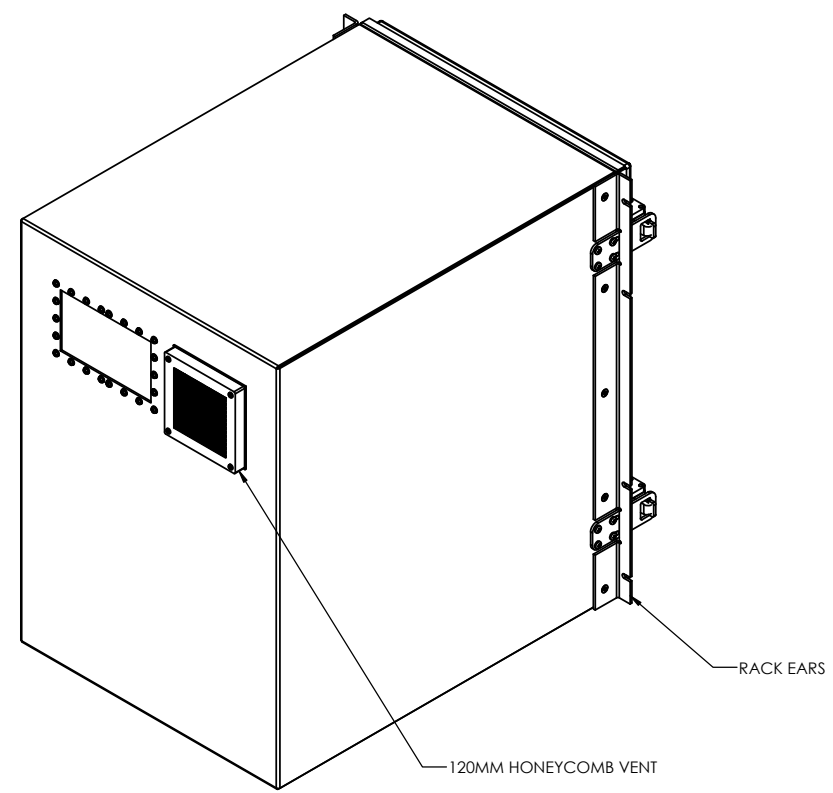
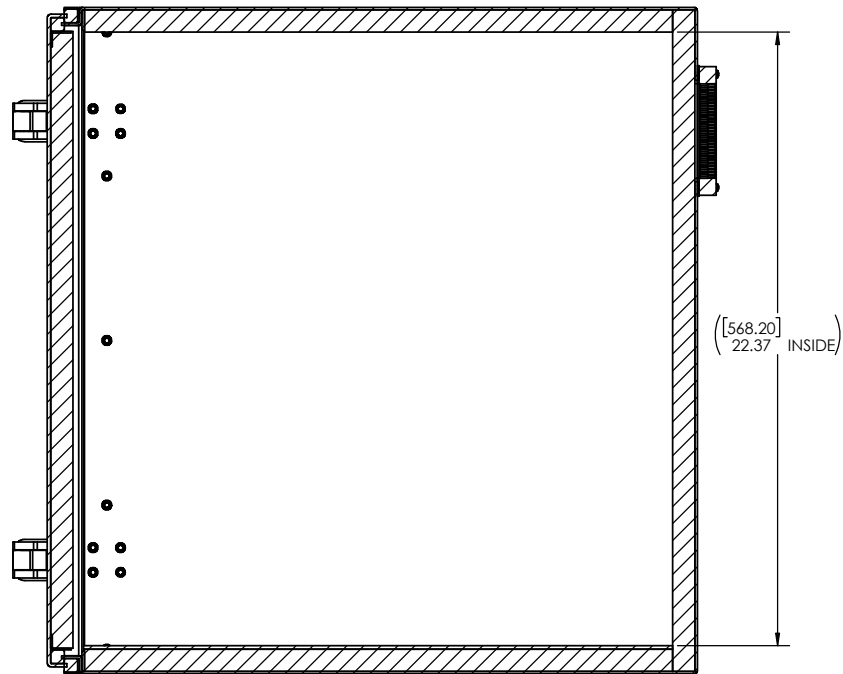


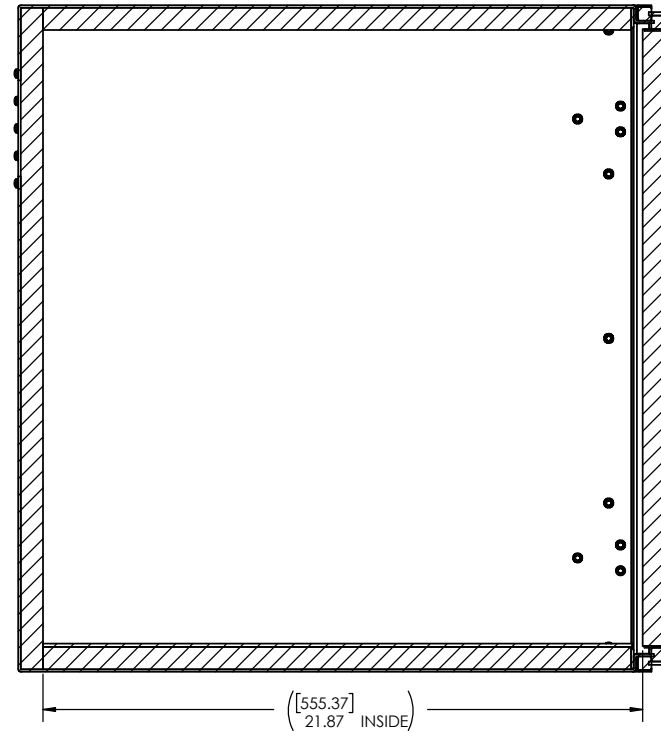
REVISIONS			
REV.	DESCRIPTION	DATE	APPROVED
A	FOAM THICKNESS UPDATED	12/19/2023	T. COAKLEY



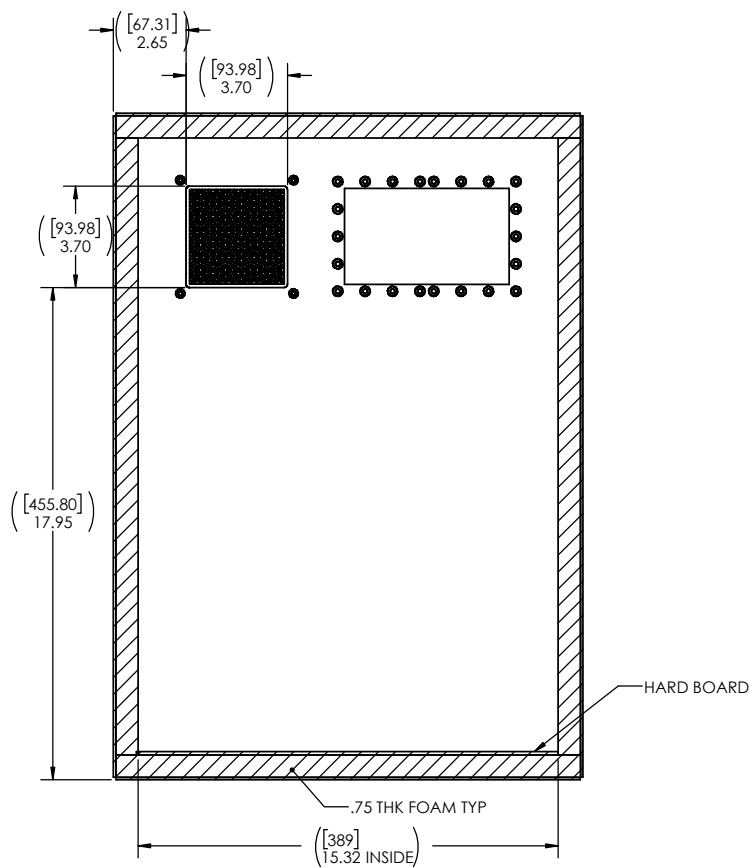
<b>ramsey</b> <small>THE INFORMATION CONTAINED IN THIS DRAWING IS THE SOLE PROPERTY OF RAMSEY ELECTRONICS, INC. ANY REPRODUCTION IN PART OR AS A WHOLE WITHOUT THE WRITTEN PERMISSION OF RAMSEY ELECTRONICS, INC. IS PROHIBITED.</small>	<small>UNLESS OTHERWISE SPECIFIED:</small> DIMENSIONS ARE IN INCHES TOLERANCES: FRACTIONAL ± 1/64 ANGULAR ± 0.005 TWO PLACE DECIMAL ± .01 THREE PLACE DECIMAL ± .005	DRAWN: T. COAKLEY CHECKED: [ ] ENG APPR: PMT IMRG APPR: [ ] FINAL RELEASE: [ ] COMMENTS:	NAME: T. COAKLEY DATE: 5/19/23 DATE: 5/24/23	<b>Ramsey Electronics®</b> 590 Fishers Station Dr. Victor, NY 14564 Ph. (585) 924-4560
	<small>INTERPRET GEOMETRIC TOLERANCING PER ASME Y14.5-2009</small> MATERIAL:	TITLE: <b>STE4480M</b> CUSTOMER DIMENSIONAL DRWG	SIZE: <b>D</b> DWG. NO.: STE4480M CUSTOMER DIMENSIONAL DRWG	REV: <b>A</b>
	FINISH:	MODEL NAME: STE4480M CUSTOMER DIMENSIONAL DRWG	SCALE: 1:8	SHEET 1 OF 2
	<small>DO NOT SCALE DRAWING</small>			



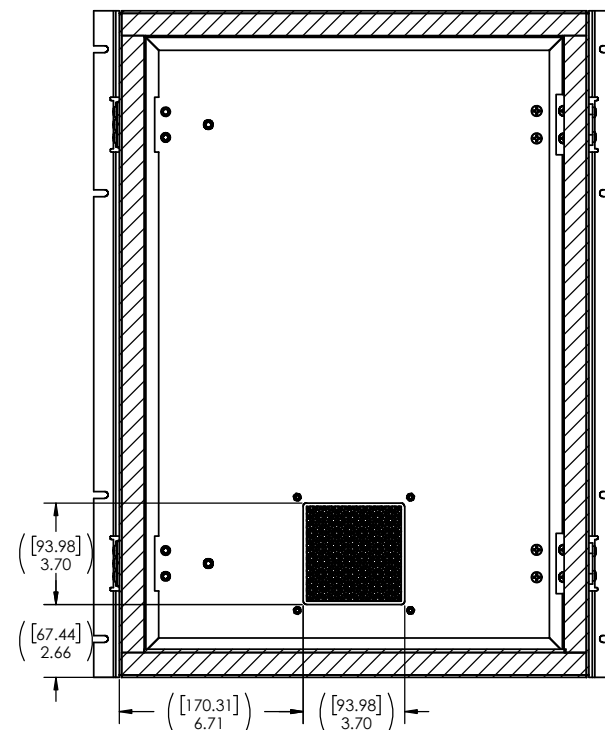
SECTION D-D



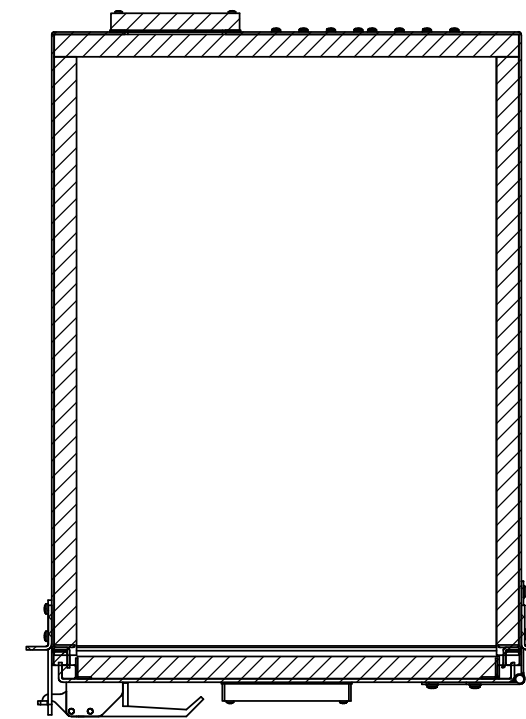
SECTION C-C



SECTION B-B



SECTION F-F  
SCALE 1 : 3.5



SECTION E-E

<p><b>PROPRIETARY AND CONFIDENTIAL</b></p> <p>THE INFORMATION CONTAINED IN THIS DRAWING IS THE SOLE PROPERTY OF RAMSEY ELECTRONICS. ANY REPRODUCTION IN PART OR AS A WHOLE WITHOUT THE WRITTEN PERMISSION OF RAMSEY ELECTRONICS IS PROHIBITED.</p>	<p>UNLESS OTHERWISE SPECIFIED:</p> <p>DIMENSIONS ARE IN INCHES</p> <p>TOLERANCES:</p> <p>FRACTIONAL ± 1/64</p> <p>ANGULAR MATCH ± .001</p> <p>TWO PLACE DECIMAL ± .01</p> <p>THREE PLACE DECIMAL ± .005</p>	<p>NAME</p> <p>T. COAKLEY</p>	<p>DATE</p> <p>5/19/23</p>	<p><b>Ramsey Electronics®</b></p> <p>590 Fishers Station Dr. Victor, NY 14564 Ph. (585) 924-4560</p>	
	<p>FINISH</p> <p>DO NOT SCALE DRAWING</p>	<p>DRAWN</p> <p>CHECKED</p> <p>ENG APPR.</p> <p>IMG APPR.</p> <p>FINAL RELEASE</p> <p>COMMENTS:</p>	<p>TITLE:</p> <p>STE4480M</p>		<p>CUSTOMER DIMENSIONAL DRWG</p>
	<p>MODEL NAME:</p> <p>STE4480M CUSTOMER DIMENSIONAL DRWG</p>	<p>SIZE</p> <p>D</p>	<p>DWG. NO.</p> <p>STE4480M</p>		<p>REV</p> <p>A</p>
	<p>SCALE:</p> <p>1:1</p>	<p>SHEET 2 OF 2</p>	<p>CUSTOMER</p>		<p>CUSTOMER</p>