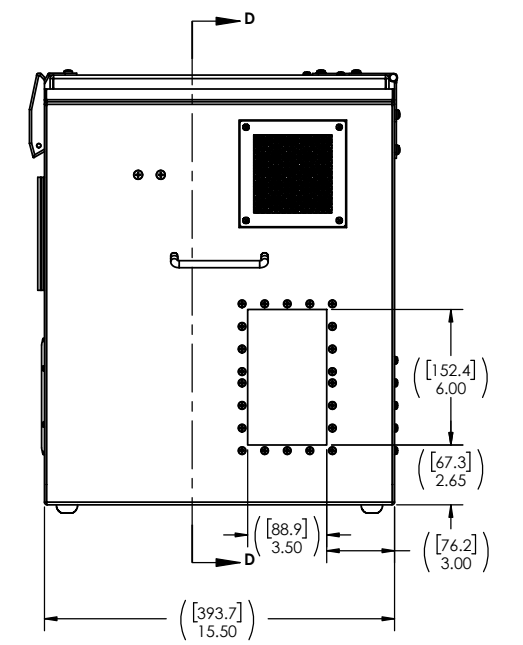
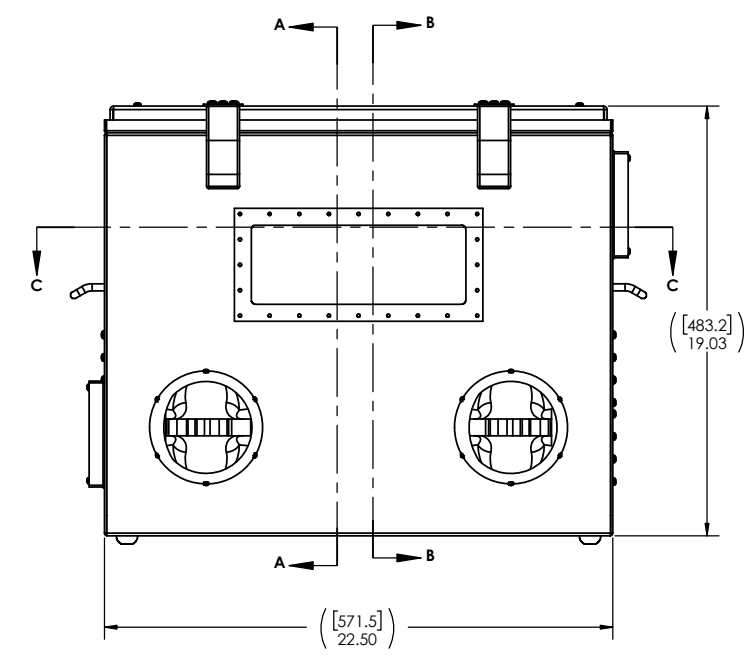
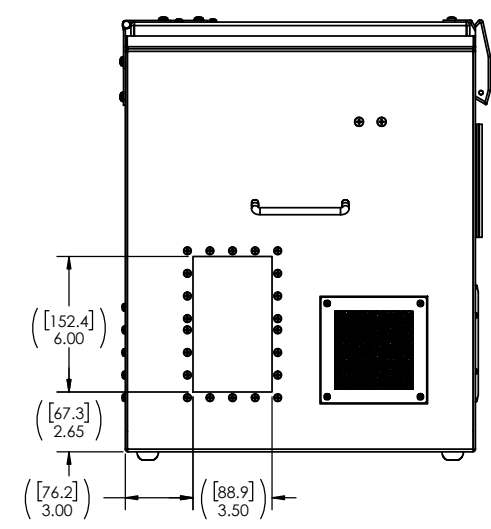
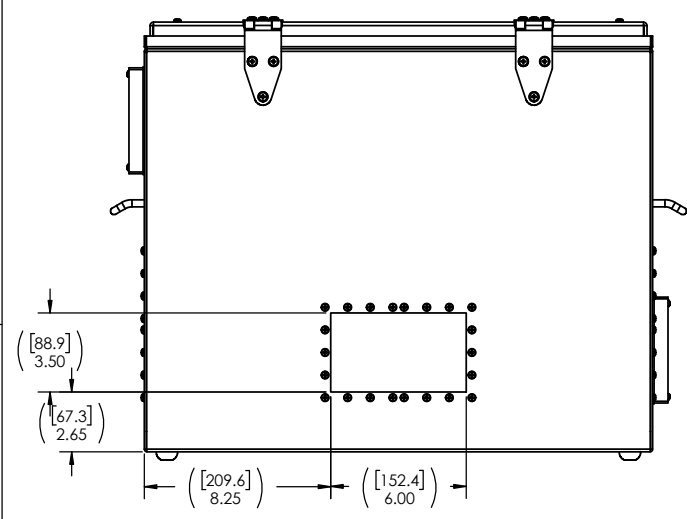
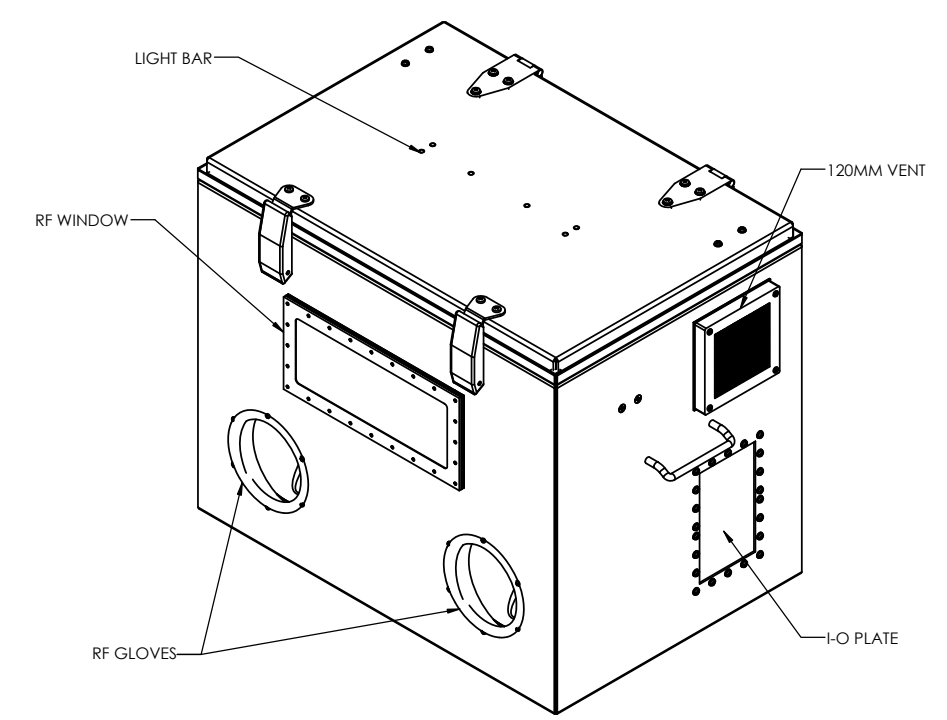
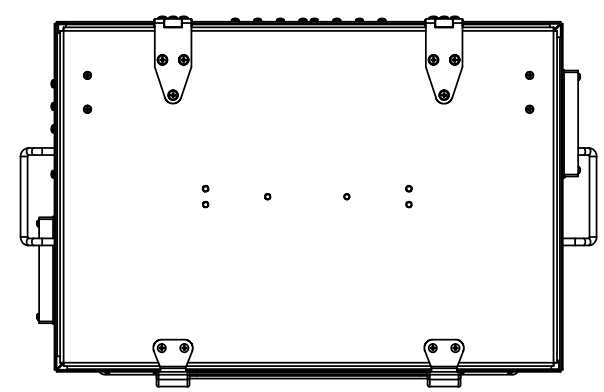
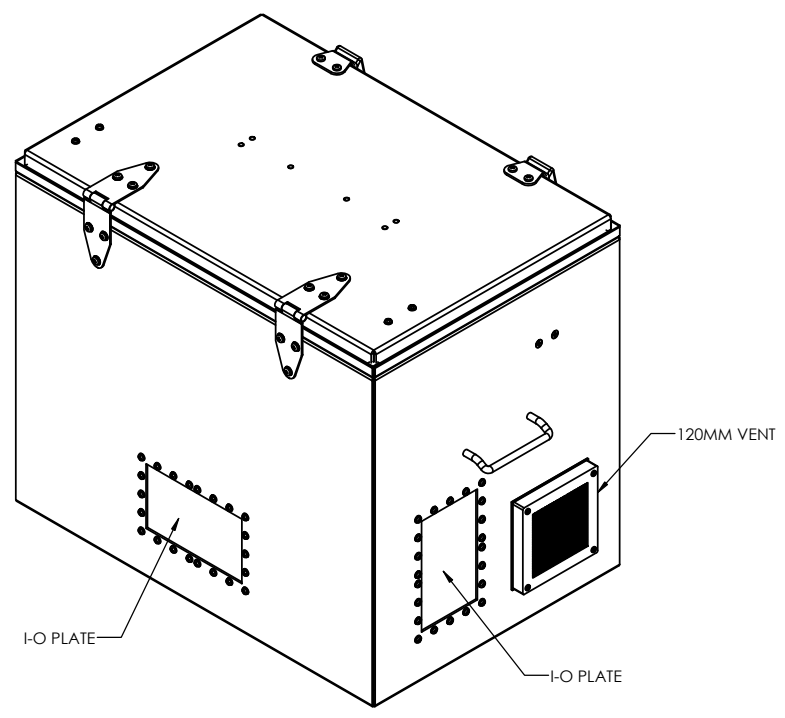
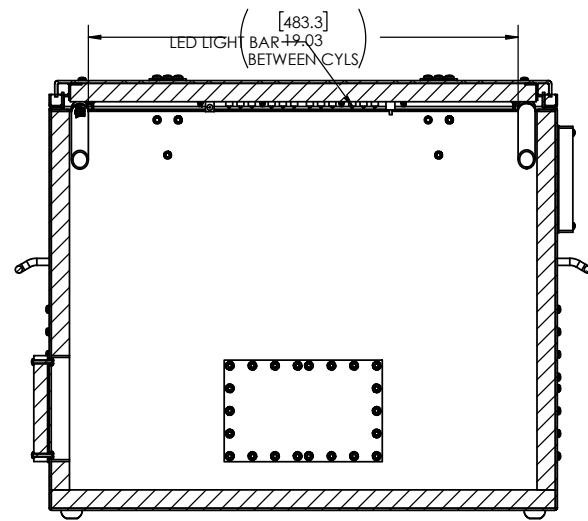


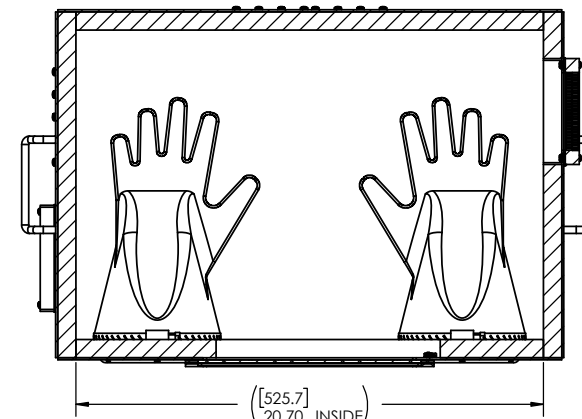
REVISIONS			
REV.	DESCRIPTION	DATE	APPROVED
A	FOAM THICKNESS UPDATED	12/21/2023	T. COAKLEY



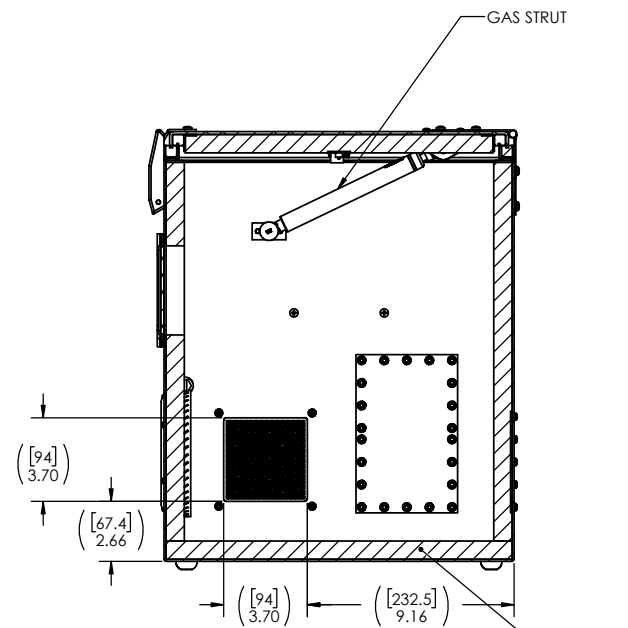
<p>Ramsey Electronics 590 Fishers Station Dr. Victor, NY 14564 Ph: (585) 924-4560 www.ramseytest.com</p>	<p>UNLESS OTHERWISE SPECIFIED: DIMENSIONS ARE IN INCHES TOLERANCES: ANGULAR: MATCH #0.5° BEND #1 TWO PLACE DECIMAL ± 0.15 THREE PLACE DECIMAL ± 0.05</p>	<p>NAME: T. COAKLEY DATE: 06/02/21</p>	TITLE:
	<p>INTERPRET GEOMETRIC CLEARANCING PER ASME Y14.5-2009</p>	<p>NAME: PMT DATE: 07/20/21</p>	DWG. NO:
	<p>MATERIAL: SEE NOTE 1 FINISH: SEE NOTE 4 & 6 DO NOT SCALE DRAWING</p>	<p>PROPRIETARY AND CONFIDENTIAL THE INFORMATION CONTAINED IN THIS DRAWING IS THE SOLE PROPERTY OF RAMSEY ELECTRONICS. ANY REPRODUCTION IN PART OR AS A WHOLE WITHOUT THE WRITTEN PERMISSION OF RAMSEY ELECTRONICS IS PROHIBITED.</p>	MODEL NAME: STE4500M CUSTOMER DIMENSIONAL DRWG
	<p>SIZE: D</p>	<p>SCALE: 1:5</p>	SHEET 1 OF 2



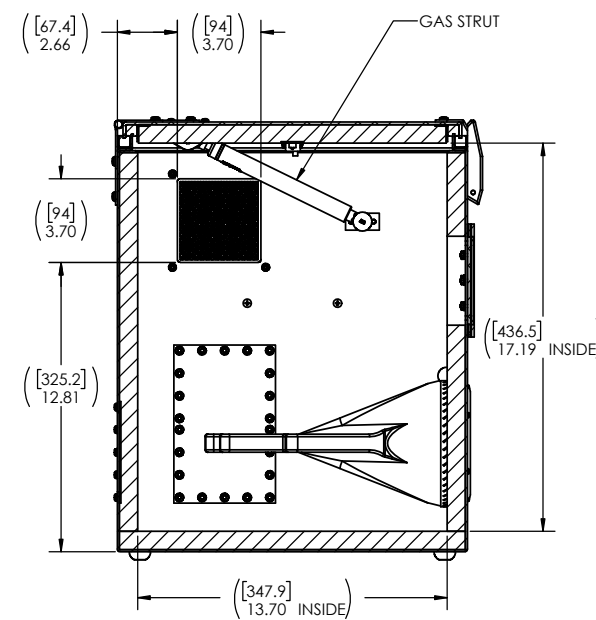
SECTION D-D
SCALE 1 : 4.25




SECTION C-C
SCALE 1 : 4.25



SECTION A-A
SCALE 1 : 4.25



SECTION B-B
SCALE 1 : 4.25

 Ramsey Electronics 590 Fishers Station Dr. Victor, NY 14564 Ph. (585) 924-4560 www.ramseytest.com	UNLESS OTHERWISE SPECIFIED: DIMENSIONS ARE IN INCHES TOLERANCES: ANGULAR: MACH #0.5° BEND ±1° TWO PLACE DECIMAL ±.015 THREE PLACE DECIMAL ±.005 INTERPRET GEOMETRIC TOLERANCING PER ASME Y14.5-2009 MATERIAL: SEE NOTE 1 FINISH: SEE NOTE 4 & 6 DO NOT SCALE DRAWING	<table border="1"> <tr> <th>NAME</th> <th>DATE</th> </tr> <tr> <td>T. COAKLEY</td> <td>06/02/21</td> </tr> <tr> <td>CHECKED:</td> <td></td> </tr> <tr> <td>ENG APPR:</td> <td></td> </tr> <tr> <td>MFG APPR:</td> <td></td> </tr> <tr> <td>TRIAL RELEASE:</td> <td></td> </tr> </table>	NAME	DATE	T. COAKLEY	06/02/21	CHECKED:		ENG APPR:		MFG APPR:		TRIAL RELEASE:		TITLE: STE4500M CUSTOMER DIMENSIONAL DRWG DWG. NO. STE4500M CUSTOMER DIMENSIONAL DRWG MODEL NAME: STE4500M CUSTOMER DIMENSIONAL DRWG
	NAME	DATE													
	T. COAKLEY	06/02/21													
	CHECKED:														
ENG APPR:															
MFG APPR:															
TRIAL RELEASE:															
THE INFORMATION CONTAINED IN THIS DRAWING IS THE SOLE PROPERTY OF RAMSEY ELECTRONICS. ANY REPRODUCTION IN PART OR AS A WHOLE WITHOUT THE WRITTEN PERMISSION OF RAMSEY ELECTRONICS IS PROHIBITED.	SIZE D	SCALE: 1:5	SHEET 2 OF 2												
			REV A												