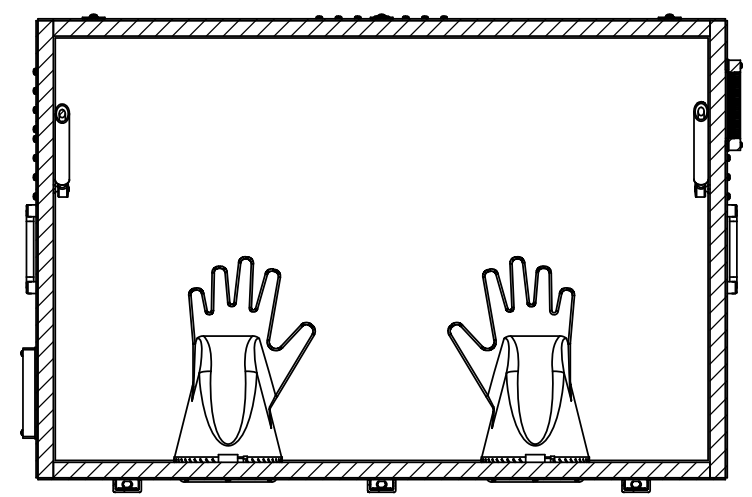
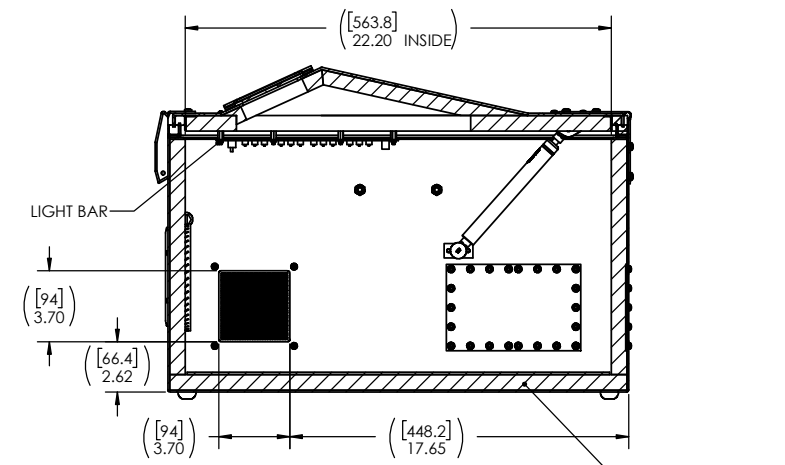


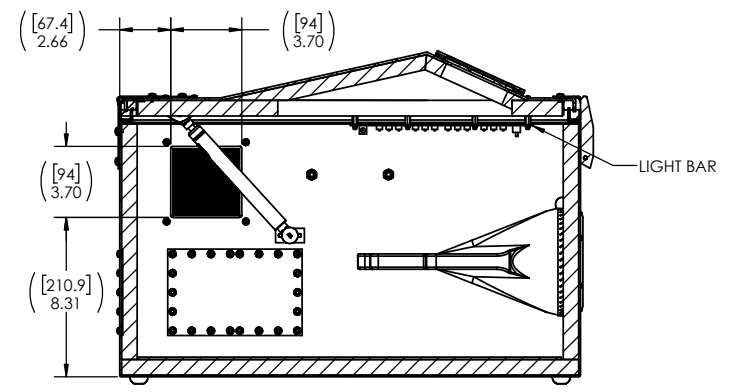
SECTION D-D




SECTION C-C



SECTION A-A



SECTION B-B

 <b>Ramsey Electronics</b> <sup>®</sup> 590 Fishers Station Dr. Victor, NY 14564 Ph. (585) 924-4560 www.ramseytest.com	UNLESS OTHERWISE SPECIFIED:	NAME	DATE	TITLE:	
	DIMENSIONS ARE IN INCHES	DRAWN	T.COAKLEY	12/22/20	STE6000M
	TOLERANCES:	CHECKED			CUSTOMER DIMENSIONAL DRWG
	ANGULAR: MATCH #0.5° BEND ±1°	ENG APPR.			DWG. NO.
TWO PLACE DECIMAL ±0.15	MFG APPR.			STE6000M CUSTOMER	
THREE PLACE DECIMAL ±0.05	TRIAL			DIMENSIONAL DRWG	
INTERPRET GEOMETRIC TOLERANCING PER ASME Y14.5-2009	RELEASE			MODEL NAME:	
MATERIAL:	PROPRIETARY AND CONFIDENTIAL THE INFORMATION CONTAINED IN THIS DRAWING IS THE SOLE PROPERTY OF RAMSEY ELECTRONICS. ANY REPRODUCTION IN PART OR AS A WHOLE WITHOUT THE WRITTEN PERMISSION OF RAMSEY ELECTRONICS IS PROHIBITED.			STE6000M CUSTOMER DIMENSIONAL DRWG	
SEE NOTE 1	SIZE	SCALE: 1:5	SHEET 2 OF 2	REV	
FINISH	D			C	
SEE NOTE 4 & 4					
DO NOT SCALE DRAWING					